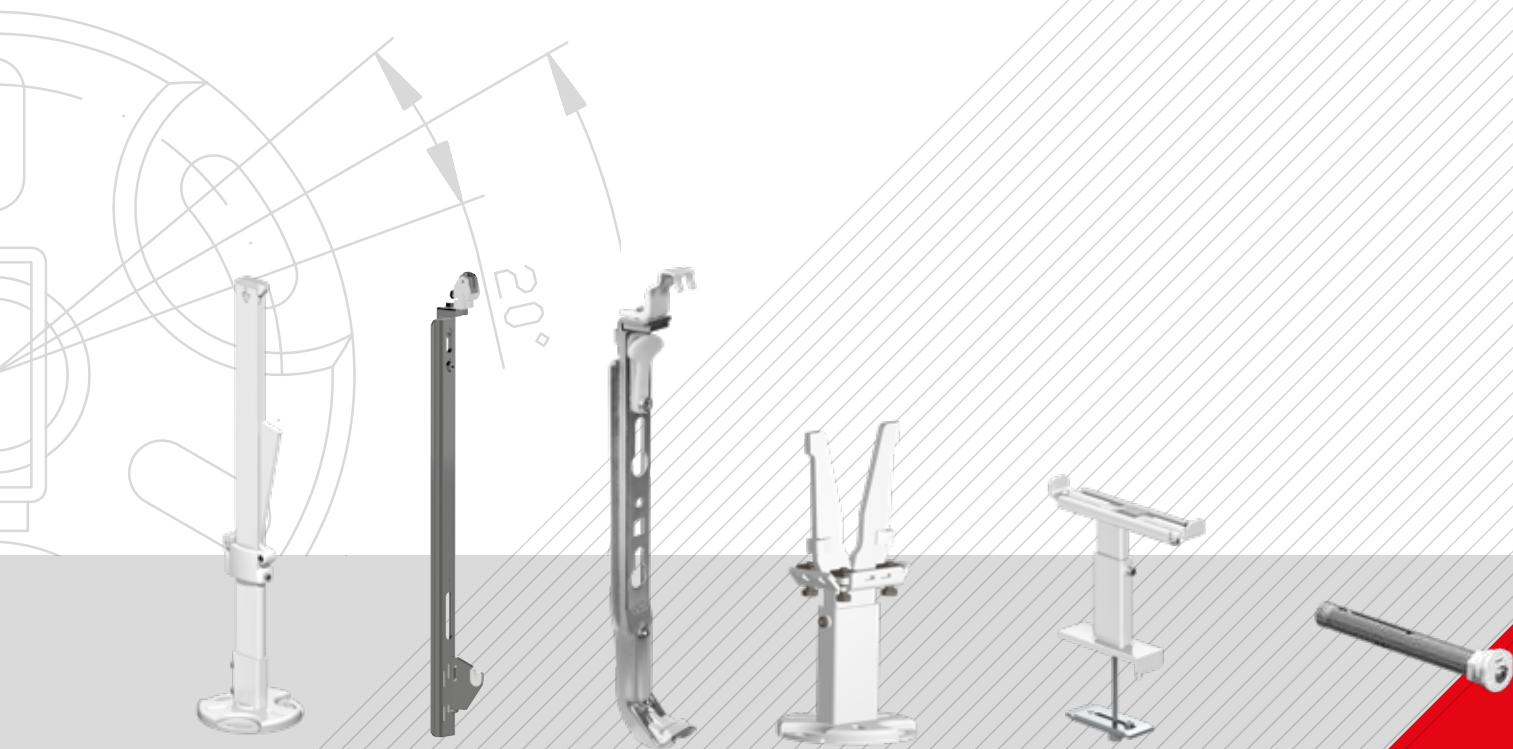


WEMEFA[®]

FIXING TECHNOLOGY

a member of iProcess Technologies



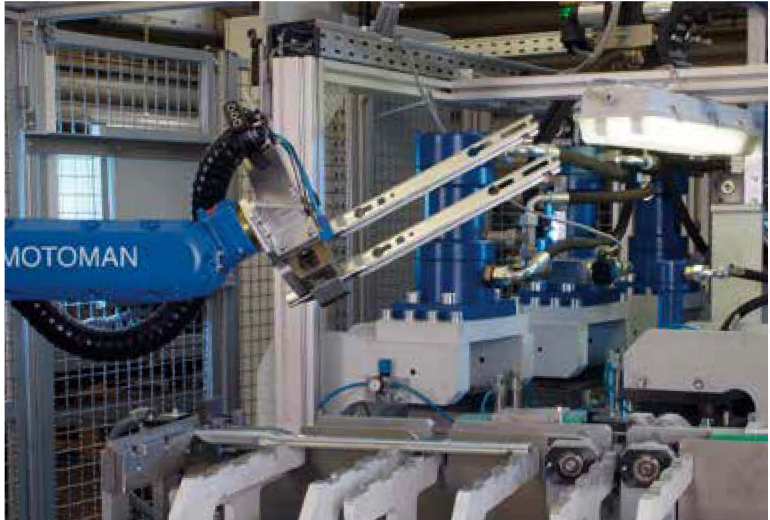
Product Catalogue 2024/2025

Valid from 1 January 2024

WEMEFA[®]

FIXING TECHNOLOGY

a member of iProcess Technologies





Wemefa H. Christopeit GmbH.

Founded in 1969 by Horst Christopeit, today Wemefa has established itself as the European market leader in fixing technology.

Over 50 years of experience and expertise guarantee innovative and technically sound products at its site in Velbert, Germany – Made in Germany.

Wemefa H. Christopeit GmbH has been part of Aalberts Industries b.v. since July 2014 – together the companies form a strong network offering designers, installers and wholesalers a comprehensive range of systems.

Limitless diversity.

Wemefa supplies a wide range of fixings for the plumbing, heating and ventilation sectors.

Alongside standard solutions, the company manufactures products to meet almost all customers requirements, and develops and produces made-to-measure fixing components and systems. Wemefa attaches great importance to the use of high-quality raw materials in conjunction with state-of-the-art manufacturing technologies.

Full Service.

Wemefa offers customers a full service from development, production and packaging to labelling, storage and shipping.

Wemefa would be happy to discuss production enquiries even outside its core sector.

Wemefa H. Christopeit GmbH

Steinbrink 3

42555 Velbert

T +49 2052 887 01

F +49 2052 887 55

E info@wemefa.de

I www.wemefa.de



Management

André van Eckendonk
Bram Delfos

**Salesmanager Belgium, Luxemburg
and France**

Steve Verstraete
T +32 472 17 07 85
steve.verstraete@aalberts-hfc.com

Salesmanager Netherlands and Export

Ulco Middendorp
T +31 62 209 66 80
ulco.middendorp@aalberts-hfc.com

**Sales Manager D, A, CH, I, PL
OEM - Radiator Fixing Material**

Axel Vlasak
T +49 2052 887 29
axel.vlasak@wemefa.de

Internal Sales D, A, NL

Anabell Schnügger
T +49 2052 887 16
anabell.schnuegger@wemefa.de

Internal Sales Export

Ivo Schmuki
T +49 2052 887 54
ivo.schmuki@wemefa.de






Northern Germany Representative

Ingo Sörensen
T +49 172 420 91 38

Eastern Germany Representative

Reinhard Hak
T +49 172 340 53 88

Contents

	1. Wemefa stand brackets and accessories	6
	2. Wemefa wall brackets and accessories	23
	3. Wemefa drill brackets and accessories	46
	4. Wemefa accessories for radiators	57
	5. Service, Product number directory, T&Cs, Miscellaneous	62

New products



It's got to be SSPK-N!

Give your radiator a proper leg to stand on with proven and durable SSPK-N stand brackets. Available in different heights with adjustable base or for special floor constructions. Attractively conceal the bases with modern designer rosettes. Now also suitable from height 200 onwards.



MSK - Universal internal stand bracket for multi-row panel radiators

Available for panel radiators with and without centre connection on request. Short installation times. High load-bearing values guarantee compliance with VDI requirements class 3.



SKW - V, variable position, snap on, click into place!

Pre-assembled snap-fit wall bracket for fast and easy assembly and disassembly. Featuring anti-lifting and anti-shift mechanism. Complies with VDI requirements class 3. Depth adjustment with uneven walls and sound-insulating plastic components in the brackets and mountings.



RHE all-purpose drill bracket

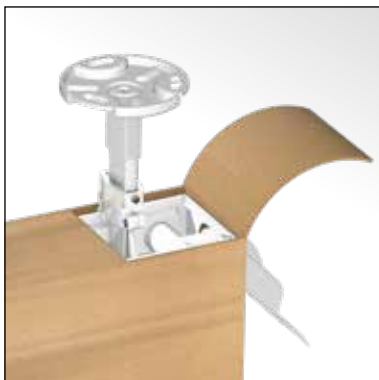
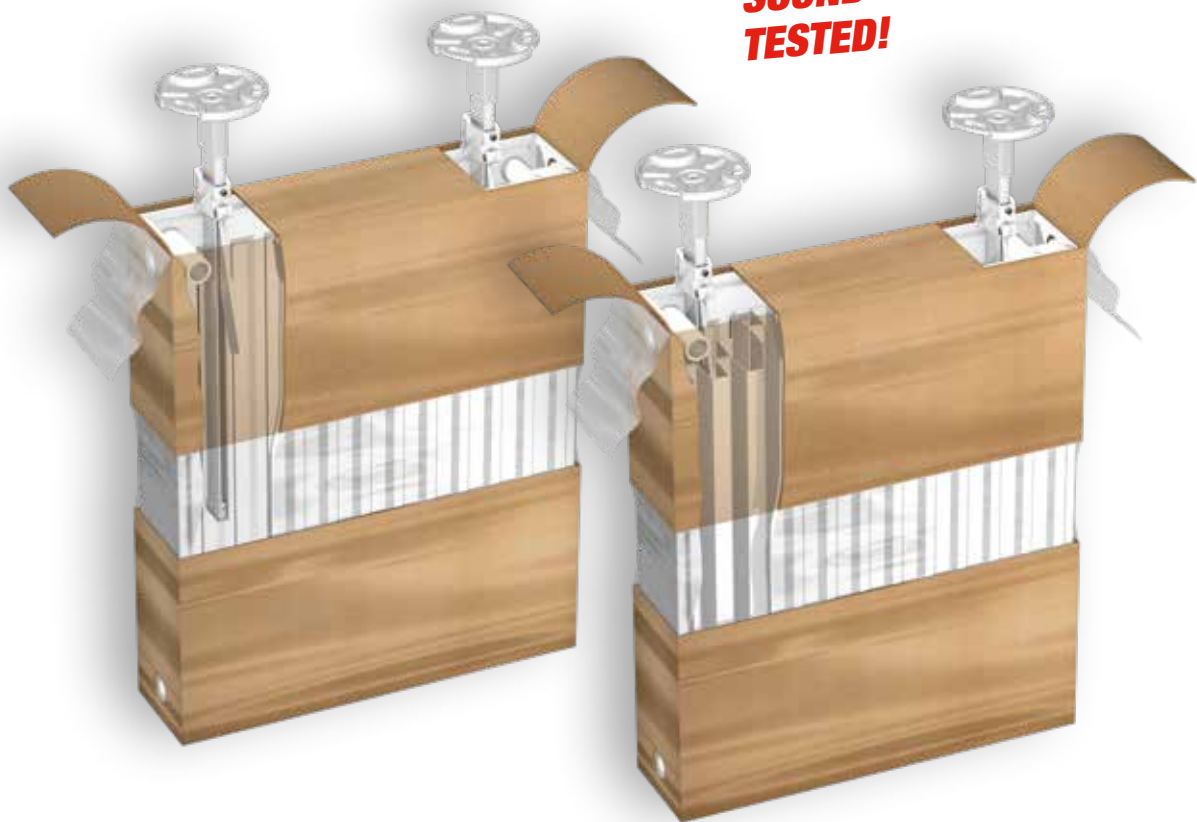
Whether you need to install panel radiators with or without hanging lugs, the RHE all-purpose drill bracket ensures that they are firmly held in place, even in problem materials, like clay block walling. The height of the radiator can be perfectly adjusted, thanks to the adjustable eccentric screw.

Product Group 1 | STAND BRACKETS

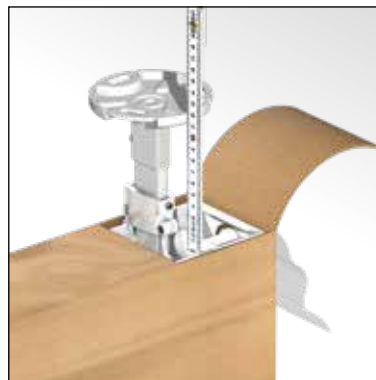
Super Standfix Plus
for all single- and multi-row panel radiators with and without convector panels

***We turn radiators
on their head!***

***SOUND-
TESTED!***



Turn the radiator upside down and open the packaging in the area of the connecting pipes.




Insert the Super Standfix Plus bracket SSPK-N. Adjust the floor clearance and tighten the threaded screw.



Turn the radiator over and fix the bracket to the floor using screws and dowels.

Product Group 1 STAND BRACKETS

Super Standfix Plus
for all single- and multi-row panel radiators with and without convector panels

 **VDI 6036**
(see also pages 65 - 66)



UP TO

1800 N
LOAD-BEARING!

Benefits:

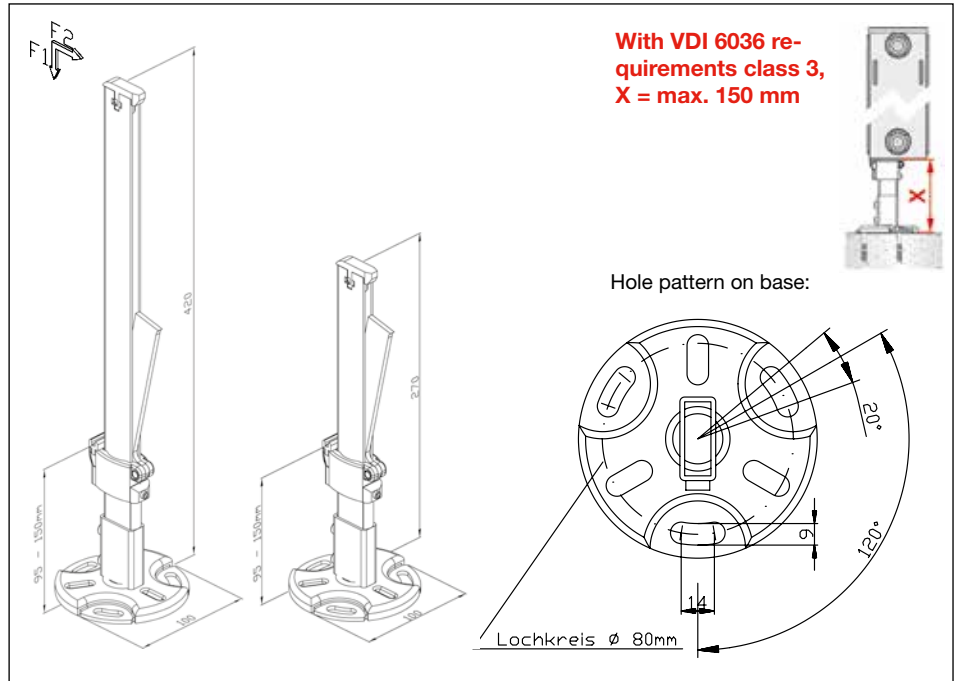
- Internal assembly of all radiator heights between 200 and 900 mm (radiator type 11 - 33)
- Installation of single-row radiators with convector panels without the need for additional accessories
- No need to dismantle the side and top cover strips
- Fully pre-assembled bracket
- Only one installation tool required = Allen key
- Short installation time
- High load-bearing values


Product features:

- Complies with VDI 6036 requirements class 3 at the maximum permissible dimension X (see sketch) = 150 mm
- Powder-coated in white
- Sound-tested
- Integrated anti-lifting mechanism

Accessories:


Base for special floor constructions, design pipe and base cover (see pages 11 and 21)



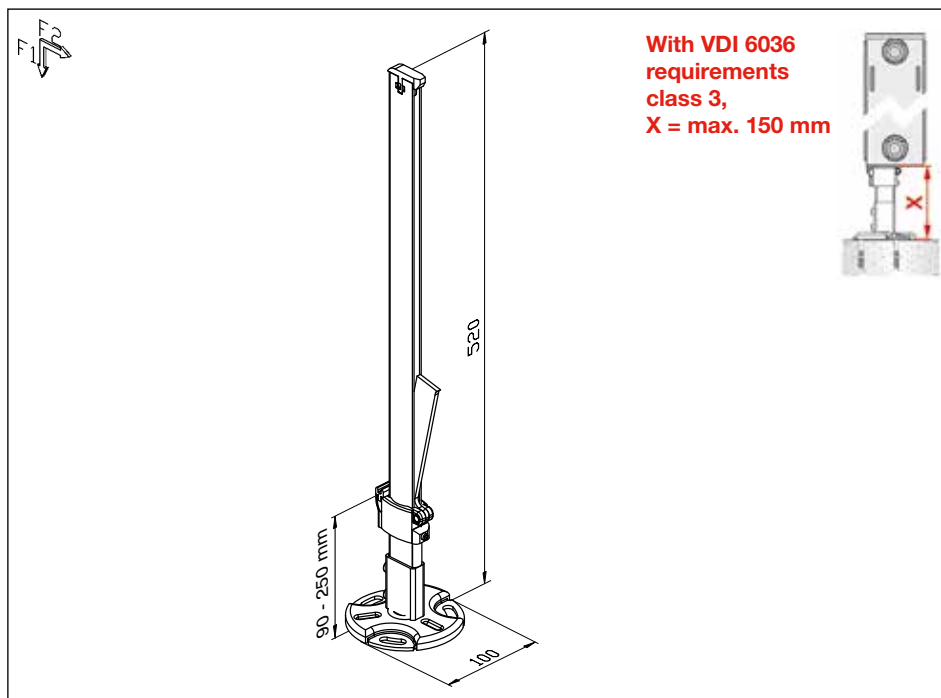
Order number	Type	Recommended maximum load per bracket F1 [N]		
10-870	SSPK-N	1800	250	10
10-870-270	SSPK-N	1800	250	10


Product Group 1 | STAND BRACKETS

Super Standfix Plus - special versions (e.g. unfinished floor)

 **VDI 6036**
(see also page 64)


Stand bracket for special floor constructions (unfinished floors), complies with requirements class 3 according to VDI 6036 with maximum permitted dimension X (see sketch) = 150 mm.



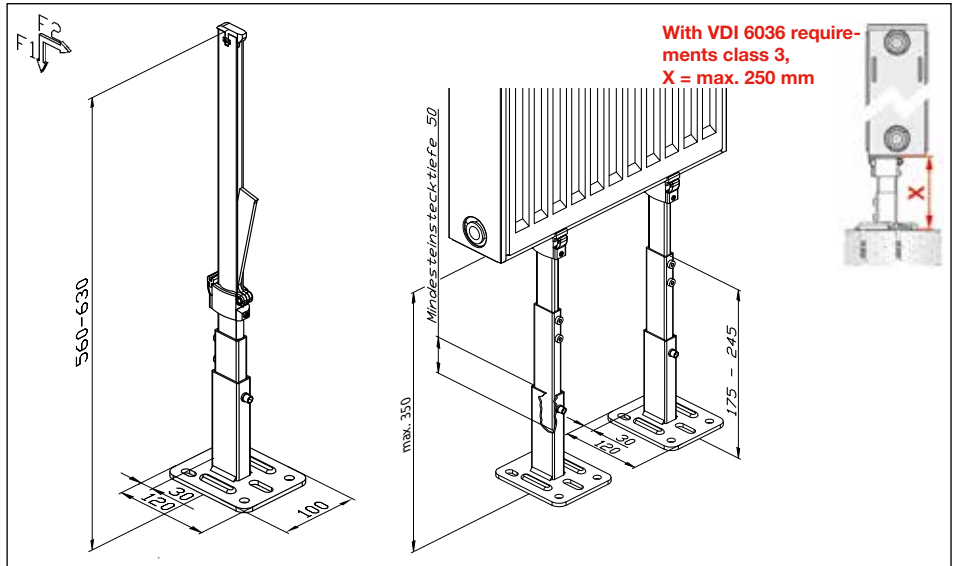
Order number	Type	Recommended maximum load per bracket		
		F1 [N]	F2 [N]	
10-870-520	SSPK-N	1800	250	10


Product Group 1 STAND BRACKETS

Super Standfix Plus - special versions (e.g. unfinished floor)


 **VDI 6036**
(see also page 64)

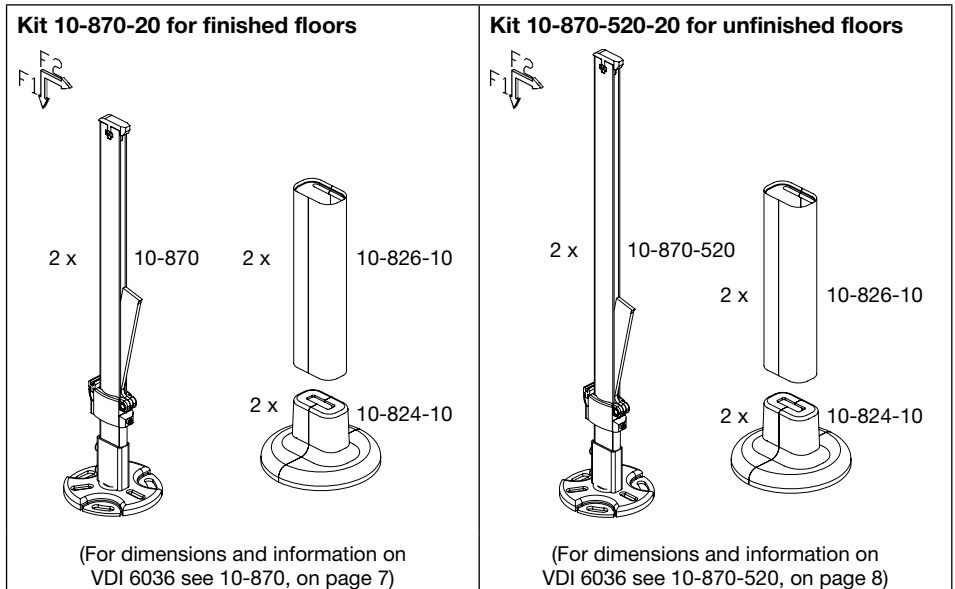
Stand bracket for special floor constructions (unfinished floor) with adjustable base, ensures compliance with VDI 6036 requirements class 3 with maximum permissible dimension X (see sketch) = 250 mm.




Order number	Type	Recommended maximum load per bracket		
		F1 [N]	F2 [N]	
10-870-10	SSPK-N	1800	250	10

Super Standfix Plus kits consisting of 2 stand brackets, 2 design pipe covers and 2 design base covers

 **VDI 6036**
(see also page 64)



Order number	Type	Recommended maximum load per bracket		
		F1 [N]	F2 [N]	
10-870-20	SSPK-N	1800	250	1
10-870-520-20	SSPK-N	1800	250	1

Product Group 1 STAND BRACKETS

Super Standfix Universal
for all multi-row panel radiators with and without convector panels



Benefits:

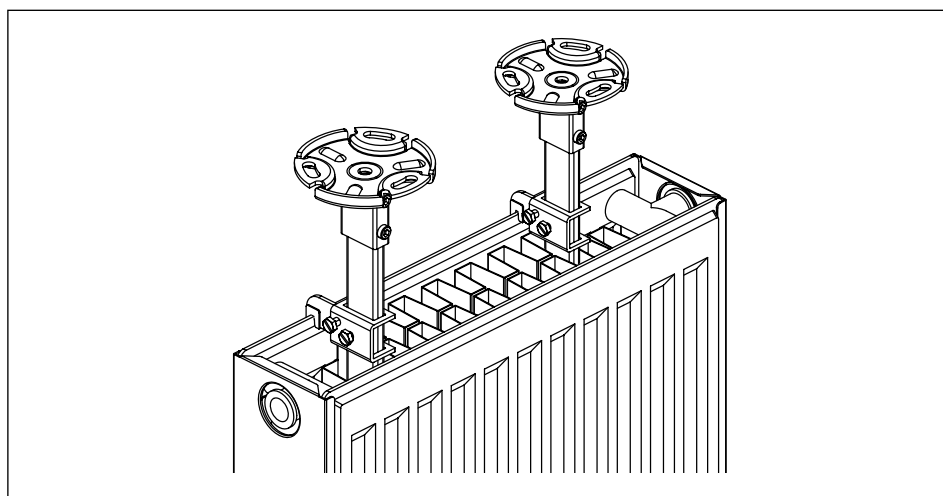
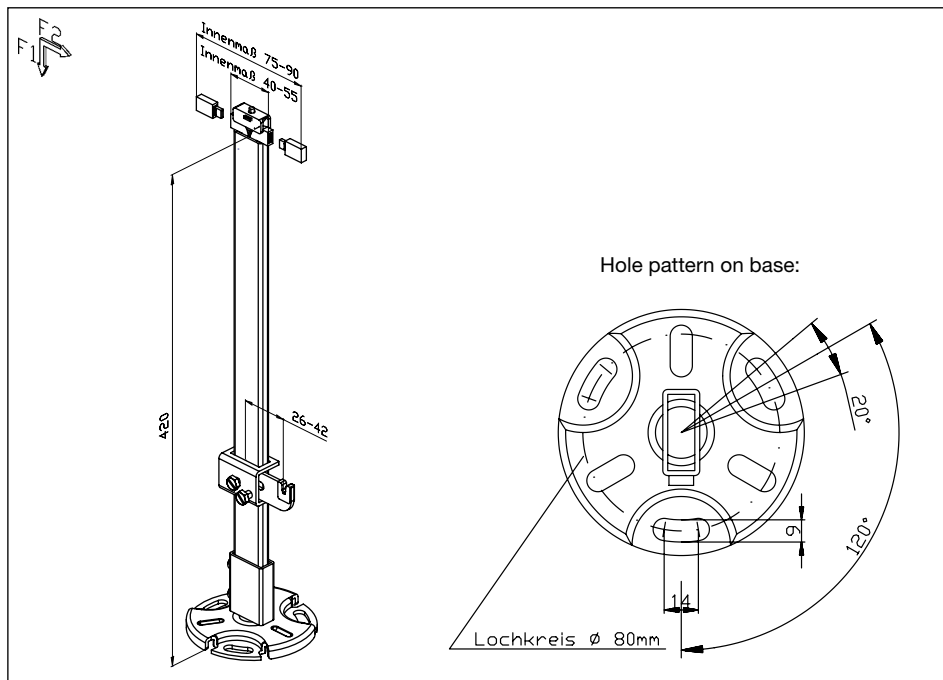
- Internal installation of radiator heights of between 200 and 900 mm
- The installation of radiators without convector panel (types 20, 30) is possible
- No need to dismantle the side and top cover strips
- Fully pre-assembled bracket
- Short installation time
- High load-bearing values


Product features:

- Powder-coated in white
- Sound-insulating
- Integrated anti-lifting mechanism

Accessories:

Base for special floor constructions, Design pipe and base cover (see pages 11 and 21)



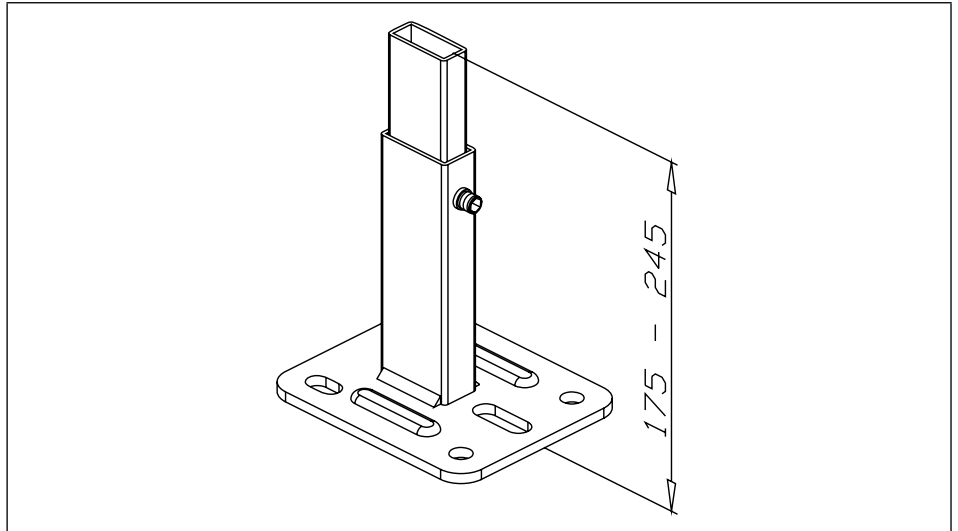
Order number	Type	Recommended maximum load per bracket		
		F1 [N]	F2 [N]	
10-810	SSU	1600	250	10

Product Group 1 STAND BRACKET ACCESSORIES

**Base for special floor constructions
for Super Standfix Plus, powder-coated in white**

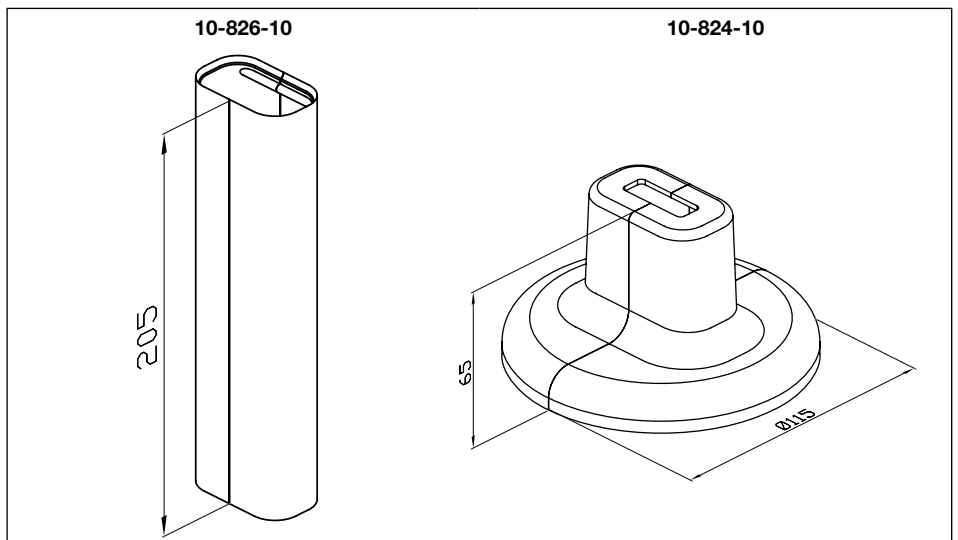
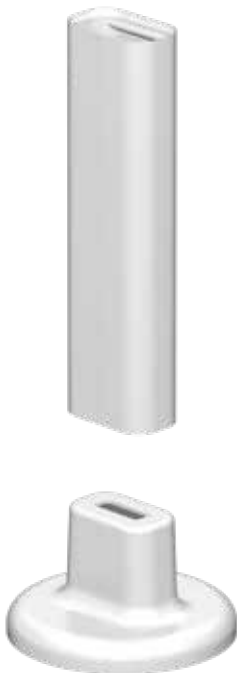



Accessories:
Plastic rosette 10-8712 (see page 22)



Order number	
10-813	20

Design pipe and base cover for Super Standfix Plus (10-826-10 also for 35 x 10 mm pipes), ASA plastic made of acrylate rubber (white, gloss finish)

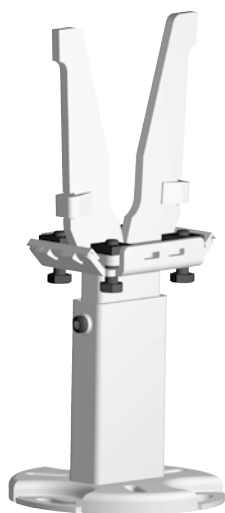


Order number	
10-826-10	20
10-824-10	20

**High UV resistance
Long-lasting durability**

Product Group 1 STAND BRACKETS

Stand bracket MSK
for multi-row panel radiators with central connection



Benefits:

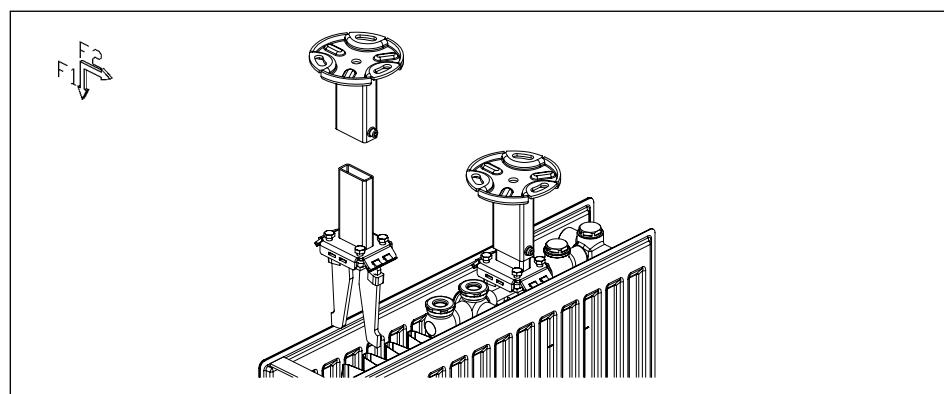
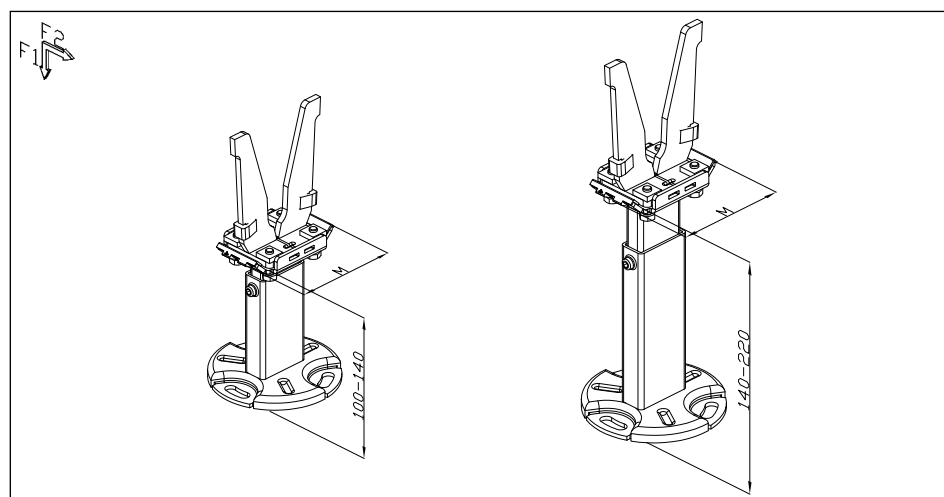
- Internal installation of all radiator heights including overall height 900 mm
- No need to dismantle the side and top cover strips
- Fully pre-assembled bracket
- Short installation time
- High load-bearing values

Product features:

- Powder-coated in white
- Sound-insulating
- Anti-lifting mechanism

Accessories:

Design pipe cover 10-826-10,
Design base cover 10-8718
(see below)



IMPORTANT: Please state the radiator manufacturer and type of radiator with your order

Order number	Recommended maximum load per bracket		Dimension M	
	F1 [N]	F2 [N]		
10-816-1*	1500	350	84 / 87.5 and 89	10
10-816-2*	1500	250	84 / 87.5 and 89	10



Pipe and base cover accessories

Order number	
10-826-10 (pipe cover)	20
10-8718 (base cover)	20

*Discontinued product

Lifting bracket
for convectors, powder-coated white, including anti-lifting mechanism



Benefits:

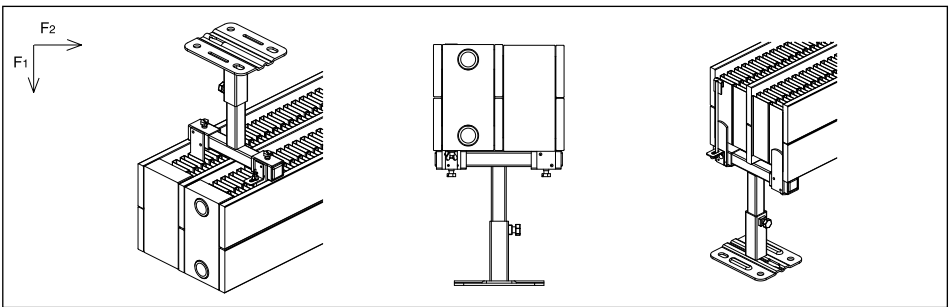
- All-purpose brackets
- Sturdy design, 100% metal
- High load-bearing values
- Ease of installation
- Includes anti-lifting mechanism

Product features:

- Upper and lower parts powder-coated in white
- Sound-insulating

Accessories: Rosette 10-8711 (see page 22)

Kit for unfinished floors	Kit for finished floors
<p>Upper part</p> <p>Lower part</p> <p>Anti-lifting mechanism</p>	<p>Upper part</p> <p>Lower part</p> <p>Anti-lifting mechanism</p>
Minimum insertion depth: 50 mm	Minimum insertion depth: 50 mm



Lifting brackets for unfinished floors			
Article number	Recommended maximum load per bracket F1 [N]	Dimension B	
10-8520-150	1200	150	10
10-8520-230	1200	230	10

Lifting brackets for finished floors			
Order number	Recommended maximum load per bracket F1 [N]	Dimension B	
10-8510-70*	1200	70	10
10-8510-150	1200	150	10
10-8510-230	1200	230	10
10-8510-310*	1200	310	10

*Discontinued product

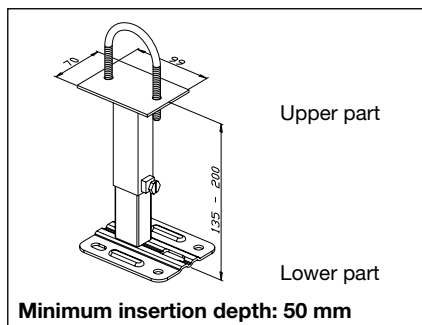
Product Group 1 STAND BRACKETS

**Lifting bracket
for steel, cast-iron and tubular radiators**



Benefits:

- All-purpose brackets
- High load-bearing values
- Short installation time

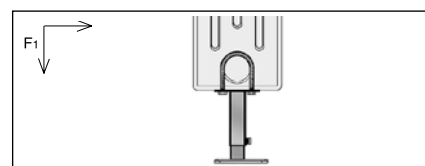


Product features:

- Powder-coated in white
- Height-adjustable from 135 mm to max. 200 mm
- Internal U-bracket dimension 60 mm

Accessories:

Rosettes 10-8710 on page 22



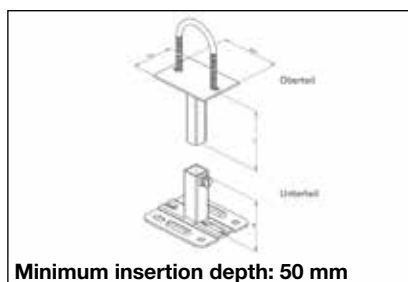
Upper and lower part (packaged as a set)			
Order number	Recommended maximum load per bracket F1 [N]	Adjustment range [mm]	
10-850 (galvanised)	1200	135 - 200	20
10-8500 (painted)	1200	135 - 200	20

**Lifting brackets , combined upper and lower part
for steel, cast-iron and tubular radiators**



Benefits:

- All-purpose brackets
- High load-bearing values
- Short installation time



Product features:

- Upper and lower part powder-coated in white
- Height-adjustable from 100 mm to max. 395 mm
- Internal U-bracket dimension 60 mm

Accessories:

Rosettes 10-8711 on page 22

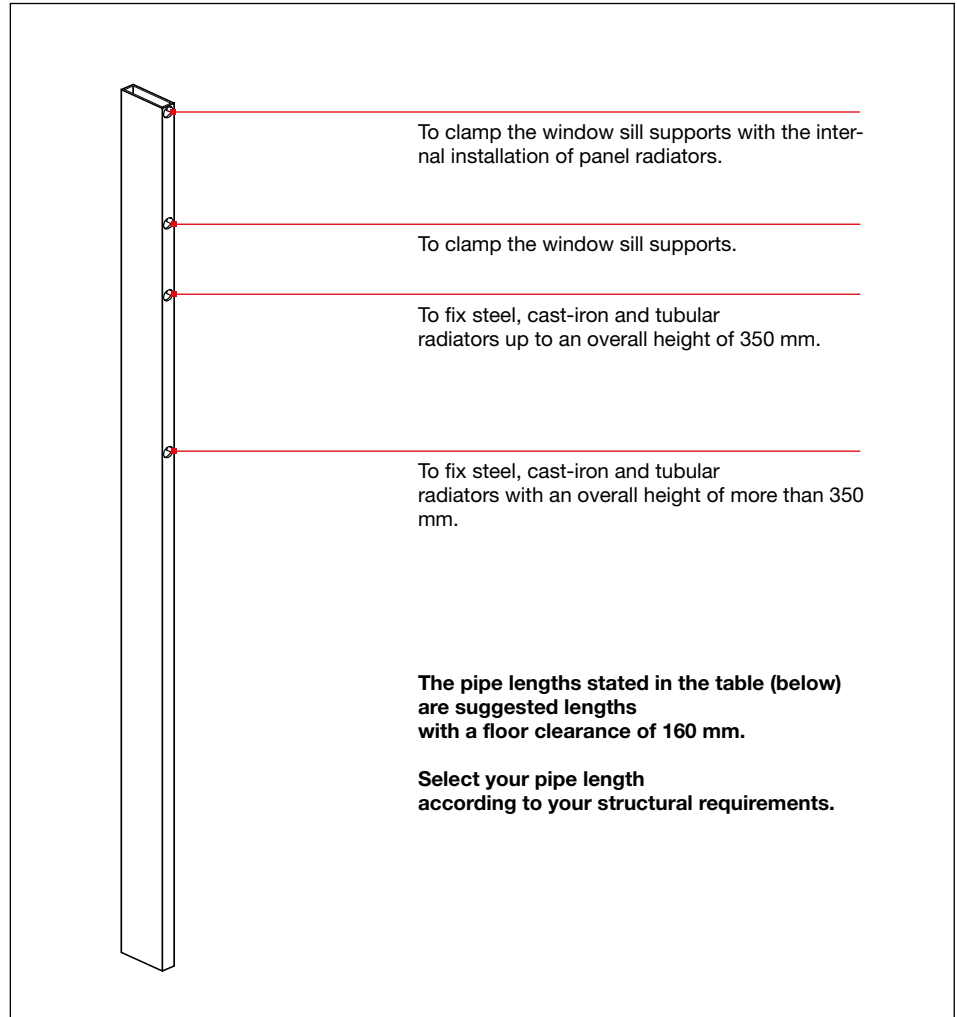



Upper part			
Order number	Recommended maximum load per bracket F1 [N]	Dimension L	
10-8090	1200	270	20
10-8090-1	1200	150	20
10-8090-2	1200	100	20

Lower part			
Order number	Recommended maximum load per bracket F1 [N]	Dimension A	
10-8420-N	1200	80	50
10-8440-N	1200	175	50

Standfix standpipes

Standpipes for the assembly of a stand bracket to fit Standfix components, rectangular pipe 35 x 10 mm, powder-coated in white.



Order number	Length A [mm]	For panel and special radiator overall height	For tubular radiator overall height	For steel/cast-iron radiator connecting distance	
10-1-360	360	200	200	-	10
10-1-460	460	300	300	200	10
10-1-510	510	350	350	-	10
10-1-560	560	400	400	-	10
10-1-610	610	450	450	350	10
10-1-660	660	500	500	-	10
10-1-710	710	550	550	-	10
10-1-760	760	600	600	500	10
10-1-860	860	700	700	600	10
10-1-960	960	800	800	-	10
10-1-1060	1060	900	900	-	10
10-1-1160	1160	1000	1000	900	10

A: Pipe length

Product Group 1 STAND BRACKETS

Standfix for the internal installation of multi-row panel radiators, adjustable between 55 and 75 mm / 80 and 100 mm (kits 10-388 /10-389 for raised convector panels)



Benefits:

- Height and depth of brackets and mountings are adjustable
- Short installation time
- High load-bearing values
- Window sill supports can be fitted in the standpipe

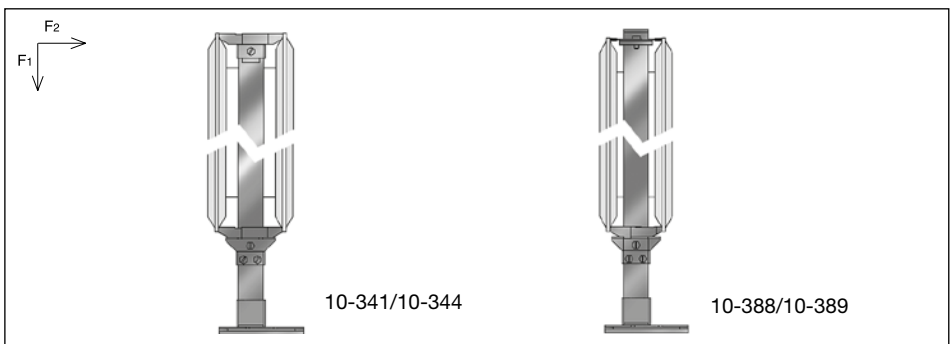
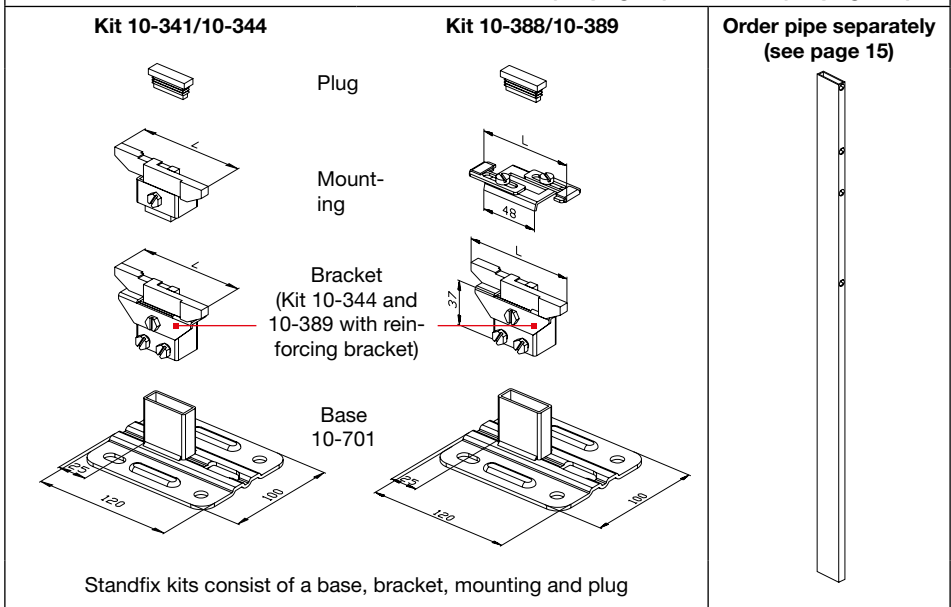
Product features:


- All metal parts are galvanised
- White powder-coated base
- Sound-insulating

Accessories:

Rosettes and window sill supports (see pages 21, 22 and 58)

Alternative recommendation, see also SSPK-N (on page 7) and MSK (on page 12)



Order number	Recommended maximum load per bracket with a pipe length of 360 mm and dimension L			Dimension L [mm]	
	F1 [N]	F2 [N]	Dimension L [mm]		
10-341	600	500	55	55 - 75	20
10-344	700	500	80	80 - 100	20
10-388	600	500	55	55 - 75	20
10-389	700	500	80	80 - 100	20

Pipe lengths for Standfix kits (order separately)						
Length [mm]	360	460	510	560	610	660
Order no.	10-1-360	10-1-460	10-1-510	10-1-560	10-1-610	10-1-660
Length [mm]	710	760	860	960	1060	1160
Order no.	10-1-710	10-1-760	10-1-860	10-1-960	10-1-1060	10-1-1160

Product Group 1 STAND BRACKETS

Standfix for the external installation of panel radiators (kit 10-334 for radiators with hanging lugs / kit 10-332 for radiators without lugs)



Benefits:

- Height-adjustable brackets and mountings
- Short installation time
- High load-bearing values
- Window sill supports can be fitted in the standpipe

Product features:

- All metal parts are galvanised
- White powder-coated base
- Sound-insulating

Accessories:

Rosettes and window sill supports (see pages 21, 22 and 58)

Alternative recommendation, see also SSPK-N (on page 7) and MSK (on page 12)

Kit 10-334	Kit 10-332	Order pipe separately (see page 15)
Standfix kits consist of a base, bracket, mounting and plug		



Order number	Recommended maximum load per bracket with a pipe length of 360 mm		
	F1 [N]	F2 [N]	
10-334	1000	500	20
10-332	800	400	20

Pipe lengths for Standfix kits (order separately)						
Length [mm]	360	460	510	560	610	660
Order no.	10-1-360	10-1-460	10-1-510	10-1-560	10-1-610	10-1-660
Length [mm]	710	760	860	960	1060	1160
Order no.	10-1-710	10-1-760	10-1-860	10-1-960	10-1-1060	10-1-1160

Product Group 1 | STAND BRACKETS

Standfix
for the lateral external installation of panel and compact radiators



Benefits:

- Adjustable height and depth of mounting
- Short installation time
- High load-bearing values
- Window sill supports can be fitted in the standpipe

Product features:

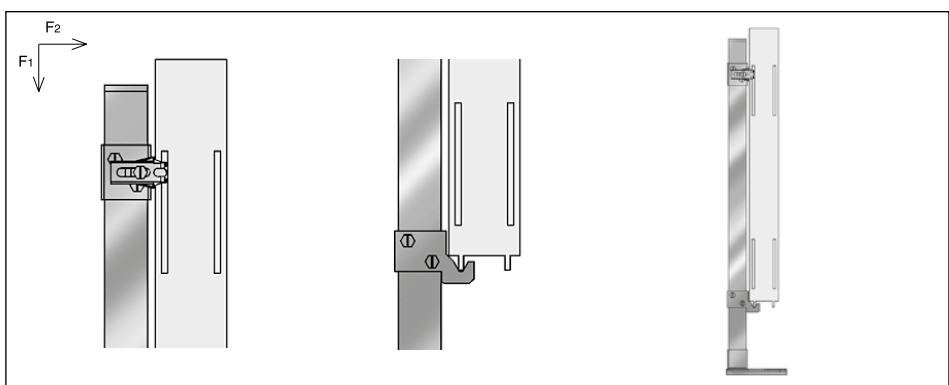
- All metal parts are galvanised
- White powder-coated base
- Sound-insulating

Accessories:

Rosettes and window sill supports (see pages 21, 22 and 58)

Alternative recommendation, see also SSPK-N (on page 7)

Kit 10-345	Order pipe separately (see page 15)
<p>Plug</p> <p>Mounting</p>	
<p>Bracket</p>	
<p>Base 10-705</p>	
<p>Kit consists of a base, bracket, mounting and plug</p>	



Order number	Recommended maximum load per bracket with a pipe length of 360 mm and L = 55		Dimension L [mm]	
	F1 [N]	F2 [N]		
10-345*	800	300	30 - 55	20

*Discontinued product

Pipe lengths for Standfix kits (order separately)						
Length [mm]	360	460	510	560	610	660
Order no.	10-1-360	10-1-460	10-1-510	10-1-560	10-1-610	10-1-660
Length [mm]	710	760	860	960	1060	1160
Order no.	10-1-710	10-1-760	10-1-860	10-1-960	10-1-1060	10-1-1160

Standfix
for steel, cast-iron and tubular radiators without / with sound insulation



Benefits:

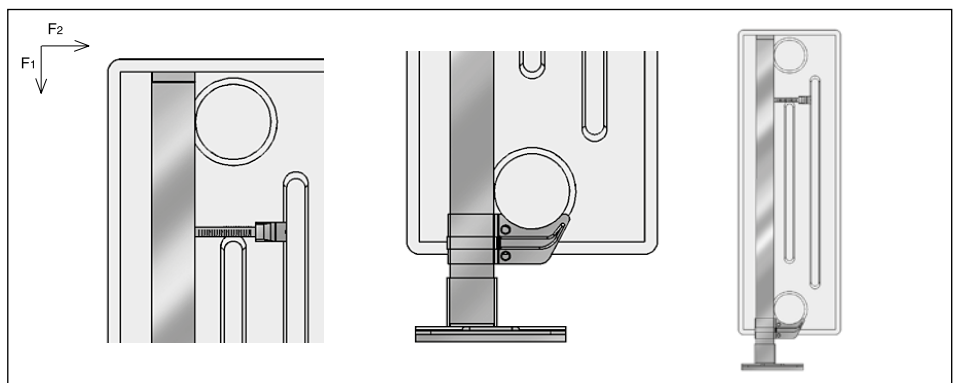
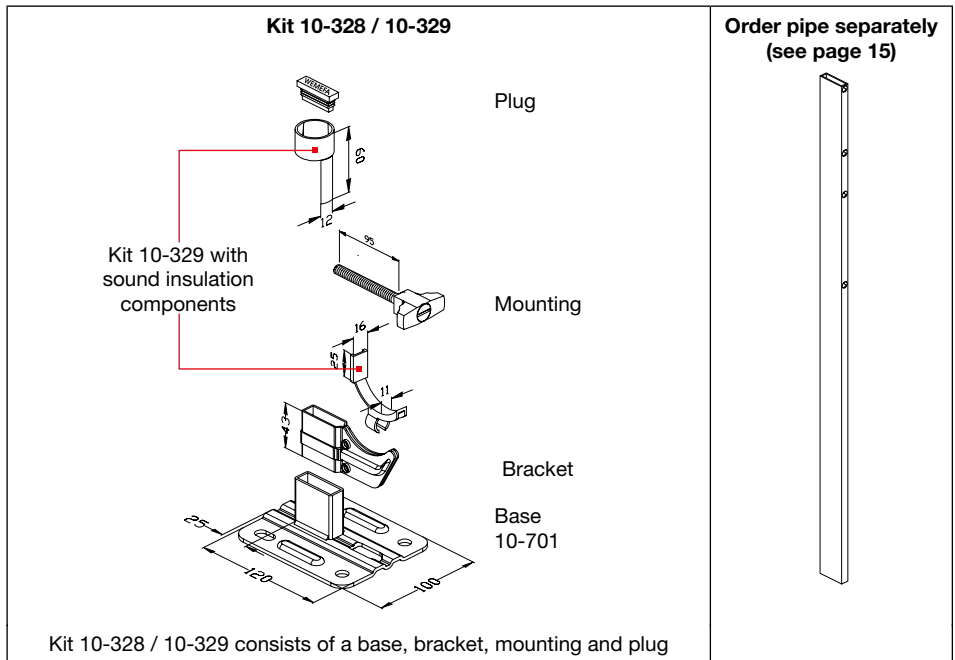
- All-purpose use for all depths
- Height-adjustable bracket
- Short installation time
- High load-bearing values
- Window sill supports can be fitted in the standpipe

Product features:

- All metal parts are galvanised
- White powder-coated base
- Sound-insulating (kit 10-329)

Accessories:

Rosettes and window sill supports (see pages 21, 22 and 58)



Order number	Recommended maximum load per bracket with a pipe length of 360 mm		20
	F1 [N]	F2 [N]	
10-328	700	600	20
10-329	700	600	20

Pipe lengths for Standfix kits (order separately)						
Length [mm]	360	460	510	560	610	660
Order no.	10-1-360	10-1-460	10-1-510	10-1-560	10-1-610	10-1-660
Length [mm]	710	760	860	960	1060	1160
Order no.	10-1-710	10-1-760	10-1-860	10-1-960	10-1-1060	10-1-1160

Product Group 1 | STAND BRACKETS

Stable stand brackets recommended for use in public buildings
(kit 10-3047 also suitable for radiators with hangers \varnothing 6 mm)



Benefits:

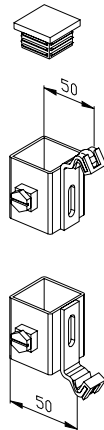
- Height-adjustable brackets and mountings with welded-on M 8 nut
- Stable standpipe with welded-on base
- Short installation time
- High load-bearing values

Product features:

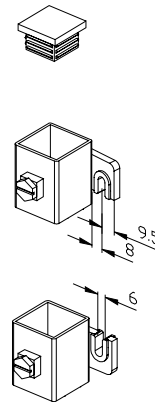
- Kit 10-3047 coupled with securing mechanism 10-524-25 and/or 10-524-40 meets VDI 6036 requirements class 3 with max. permissible dimension X (see sketch) = 200 mm
- Galvanised mounting and bracket
- Standpipe 30 x 30 mm powder-coated in white
- Sound-insulating

Alternative recommendation, see also SSPK-N (on page 7) and MSK (on page 12)

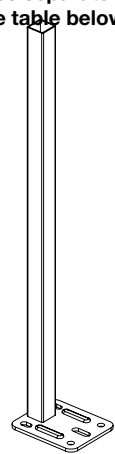
Kit 10-3048



Kit 10-3047



Order pipe including base separately (see table below)

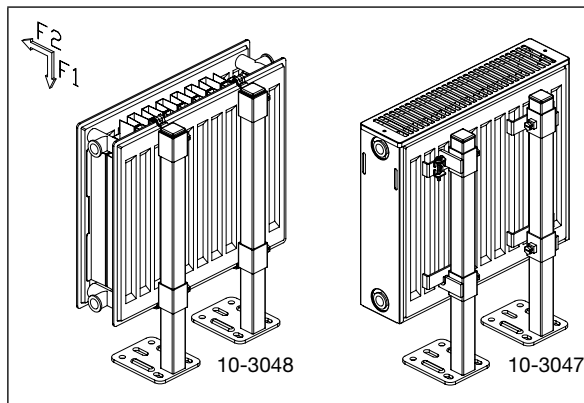


Kits consist of a bracket, mounting and plug

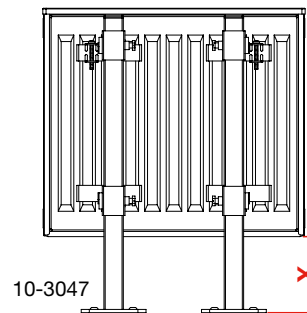
VDI 6036
(see also page 64)



Accessories required for VDI 6036:
10-524-25 or
10-524-40
(page 44)



With VDI 6036 requirements class 3, X = max. 200 mm



Order number	Recommended maximum load per bracket with a pipe length of 360 mm		
	F1 [N]	F2 [N]	
10-3048*	800	400	100
10-3047*	1300	1000	100

*Discontinued product

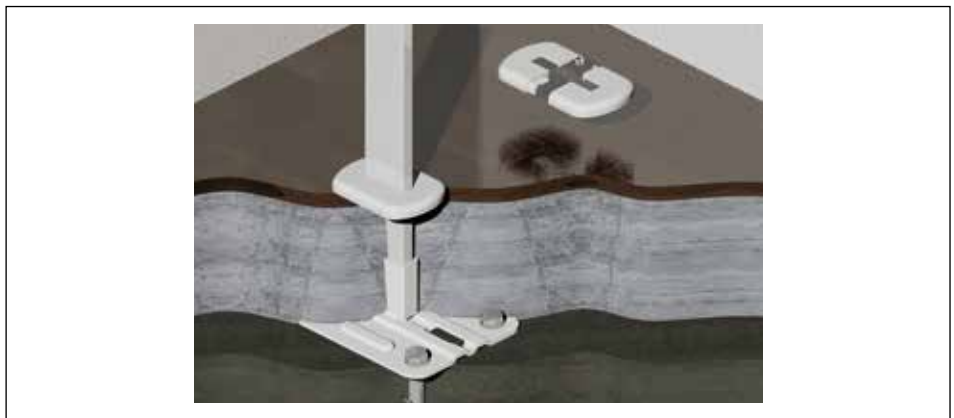
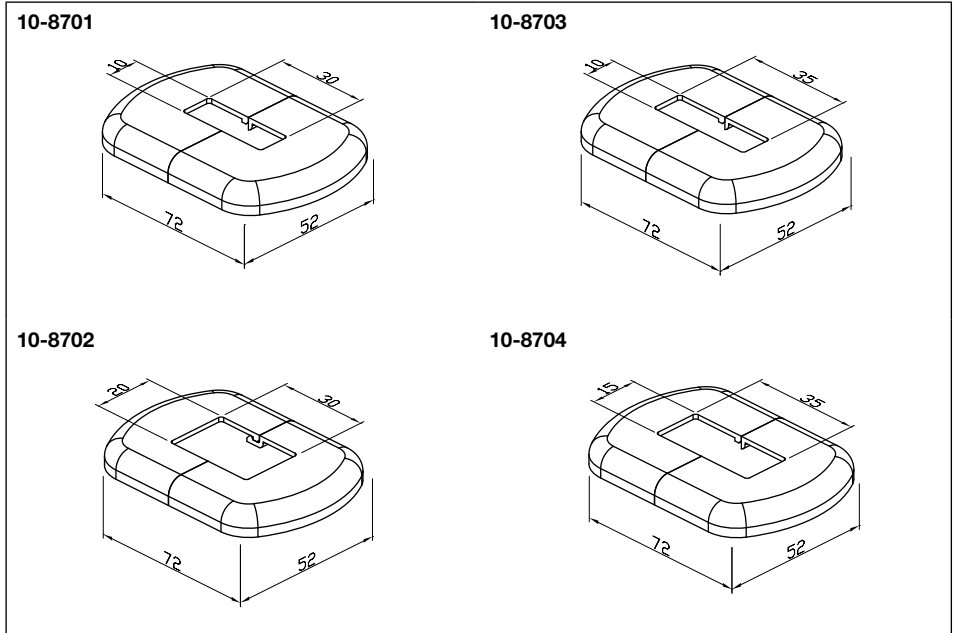
Pipe lengths for stable stand brackets (order separately)


Length [mm]	760	1160
Order no.	10-760-3*	10-1160-3*

*Discontinued product

Product Group 1 **STAND BRACKET ACCESSORIES**

Plastic rosettes - ASA plastic made of acrylate rubber (white, gloss finish) to cover the transition from the floor to the standpipe with unfinished floor installation

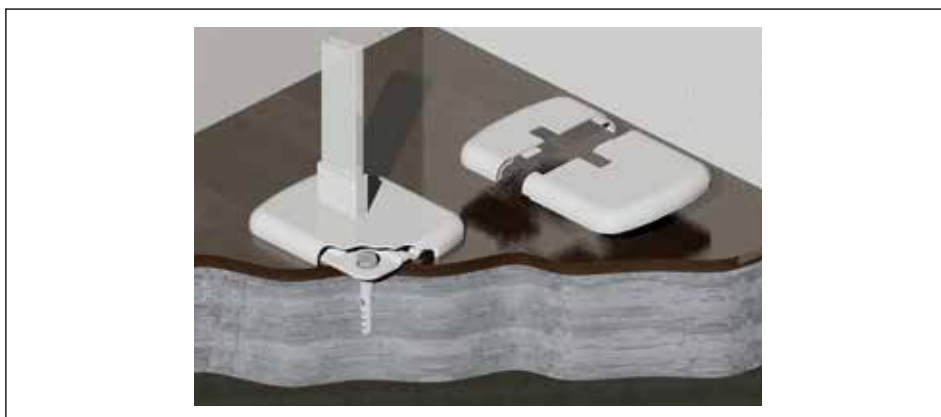
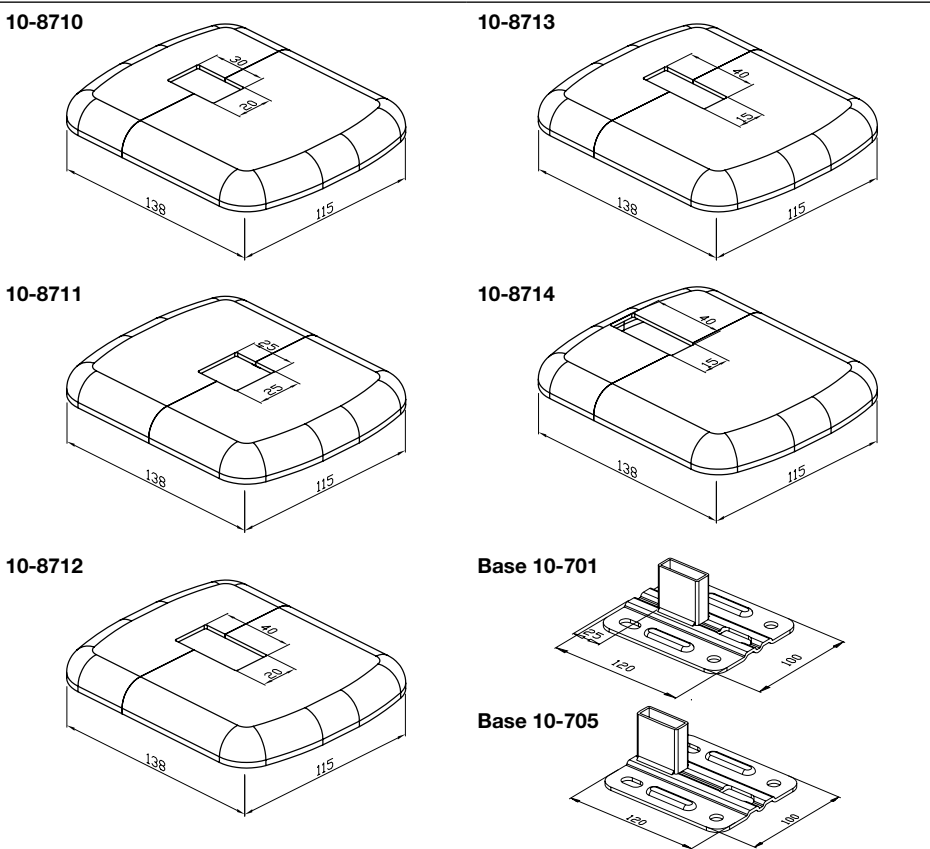
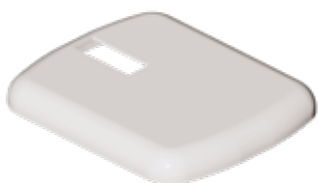



Order number	For standpipe [mm]	Suitable for bracket	
10-8701	30 x 10	SSPK-N, SSU	50
10-8702	30 x 20	Lifting bracket 10-850, 10-8500	50
10-8703	35 x 10	Standfix kits	50
10-8704	35 x 15	SSPK-N 10-870-10, base 10-813	50

High UV resistance
Long-lasting durability

Product Group 1 STAND BRACKET ACCESSORIES

Plastic rosettes - ASA plastic made of acrylate rubber (white, gloss finish) to cover stand bracket bases when installed on a finished floor



Order number	Dimensions [mm]	For base and/or lifting bracket	
10-8710	138 x 115	10-850, 10-8500	50
10-8711	138 x 115	10-8420-N, 10-8440-N	50
10-8712	138 x 115	10-813	50
10-8713	138 x 115	10-701	50
10-8714	138 x 115	10-705	50

High UV resistance
Long-lasting durability

Snap-fit brackets SKW-V for all multi-row panel radiators with hanging lugs

SKW-V snap-fit bracket

The radiator fixing with a "click"!



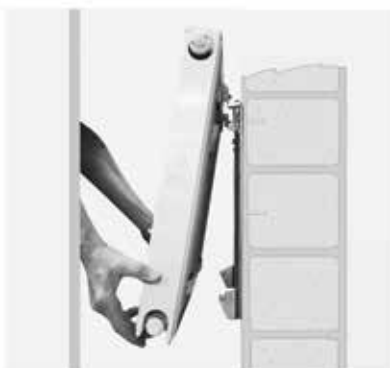
Heizkörper unten einhängen.



Gegen den oberen Halter drücken.



Halter ist eingerastet.



Einfache Demontage – Rohbauphase – lediglich durch Anheben des Heizkörpers.



Tiefenverstellung bei unebenen und schiefen Wänden.




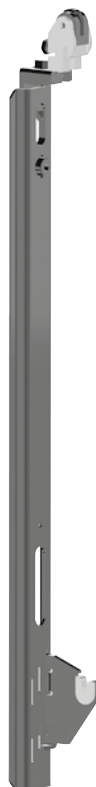
Somit ist gleichzeitig die Aushebe- und Verschiebesicherung gewährleistet.

Damit ist die AK3 erreicht.

Product Group 2 WALL BRACKETS

Snap-fit bracket SKW-V for all multi-row panel radiators with hanging lugs

 **VDI 6036**
(see also pages 65 - 66)



Benefits:

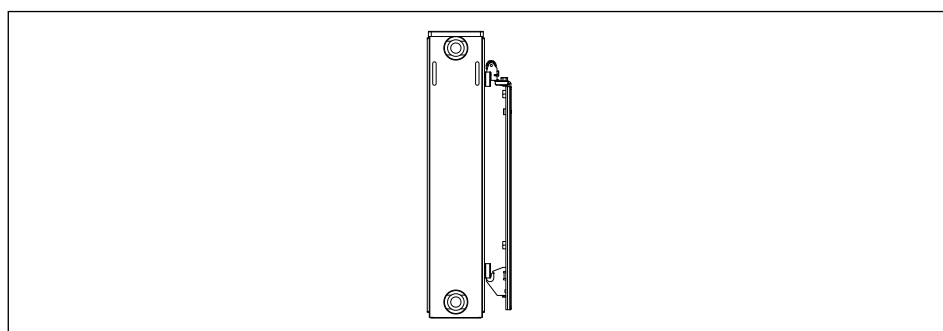
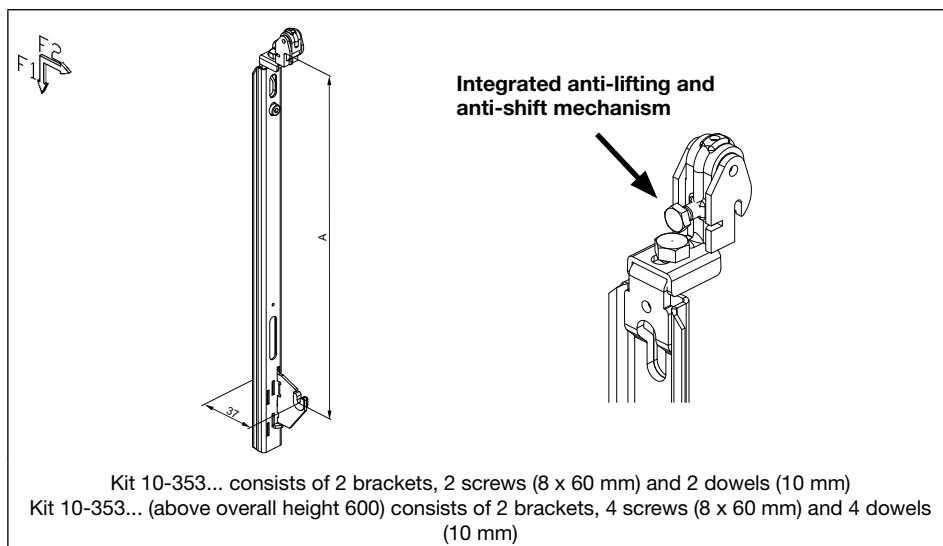
- Fully assembled
- Ease of installation without the need to fix or loosen the upper mounting
- Short installation time
- Depth can be adjusted for uneven walls
- Anti-shift mechanism
- Anti-lifting and anti-shift mechanism thanks to locking screw
- Easy to dismantle by lifting off the radiator
- High load-bearing values

Product features:


- Complies with VDI 6036 requirements class 3*
- Galvanised metal parts
- Sound-insulating
- * does not apply to SKW-V overall height 300 mm

Accessories:


Bridging blocks
(see page 45)



IMPORTANT: Please state the radiator manufacturer and overall height with your order

Order number	Type	Recommended maximum load per bracket		
		F1 [N]	F2 [N]	
10-353...	SKW-V BH 300	1500	400	1
10-353...	SKW-V BH 400	1500	400	1
10-353...	SKW-V BH 500	1500	400	1
10-353...	SKW-V BH 600	1500	400	1
10-353...	SKW-V BH 700	1500	400	1
10-353...	SKW-V BH 900	1500	400	1
10-353...	SKW-V BH 950	1500	400	1

WS EKV Plus for all multi-row panel radiators without hanging lugs

 **VDI 6036**
(see also page 64)



Accessories required for VDI 6036:
10-5241
(page 44)



Benefits:

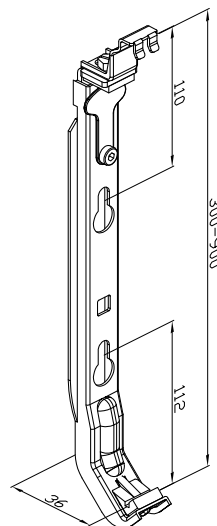
- Fully pre-assembled
- Automatic anti-lifting mechanism
- Short installation time
- Easy to dismantle in recesses as well
- Lateral adjustment
- Depth adjustment for uneven walls
- High load-bearing values

Product features:

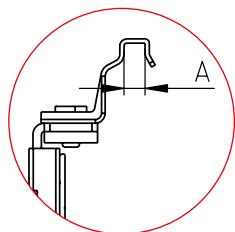
- Coupled with 2 fixing screws per wall rail, complies with VDI 6036 requirements class 2
- Galvanised metal parts
- Powder-coated retaining clamp
- Sound-insulating

Accessories:

Bridging blocks (see page 46)

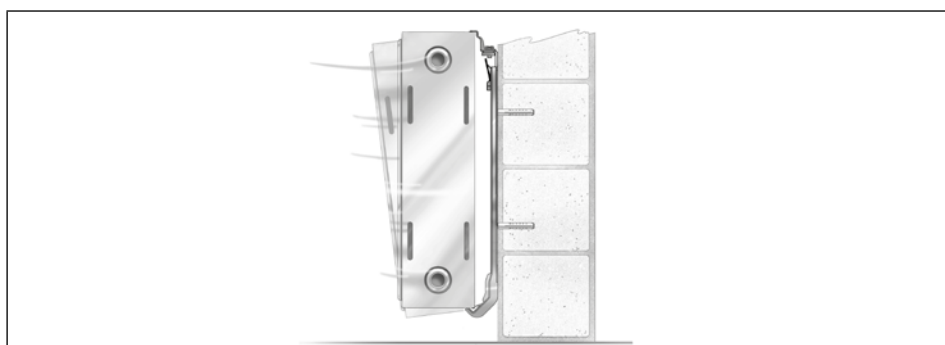


Kits consist of 2 brackets, 2 screws (8 x 60 mm) and 2 dowels (10 mm)
above overall height 600 mm: 2 brackets, 4 screws (8 x 60 mm) and 4 dowels (10 mm)




Available with different clamp widths A:

- 9.50 - 11.00 mm - **Order no.: 10-377...**
- 8.00 - 9.00 mm - **Order no.: 10-376...**
- 6.00 - 7.50 mm - **Order no.: 10-378...**




IMPORTANT: Please state radiator type with your order

Order number	Type	Recommended maximum load per bracket		
		F1 [N]	F2 [N]	
...300	EKV-Plus BH 300	1200	250	1
...350	EKV-Plus BH 350	1200	250	1
...400	EKV-Plus BH 400	1200	250	1
...500	EKV-Plus BH 500	1200	250	1
...550*	EKV-Plus BH 550	1200	250	1
...600	EKV-Plus BH 600	1200	250	1
...900	EKV-Plus BH 900	1200	250	1
...950*	EKV-Plus BH 950	1200	250	1

*Discontinued product

Product Group 2 WALL BRACKETS

Universal combi bracket for all multi-row panel radiators without hanging lugs

 **VDI 6036**
(see also page 64)

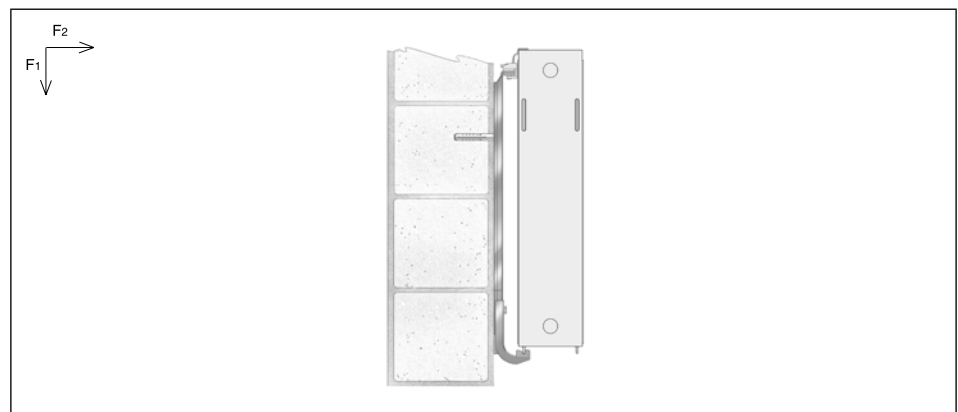
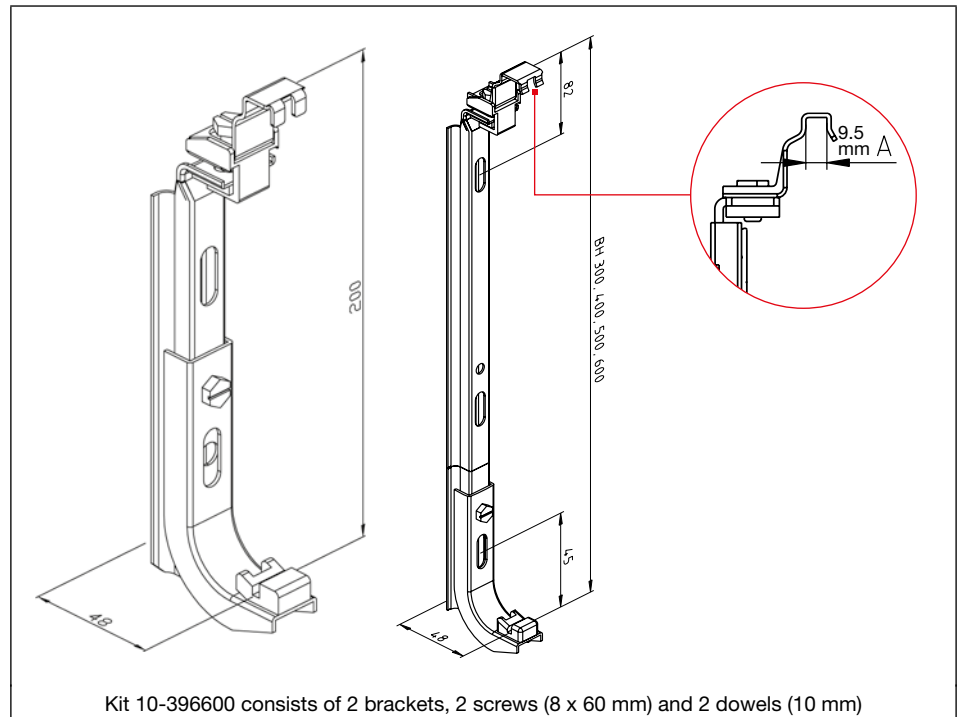



Benefits:

- Wall rail for radiator height 300 - 600 mm
- Side and depths are adjustable
- Fully assembled brackets
- Pre-assembled for radiator height 600 mm, can be shortened for radiator heights 300, 400 and 500 mm

Product features:

- Coupled with 2 fixing screws per wall rail, complies with VDI 6036 requirements class 2
- Galvanised metal parts
- Powder-coated retaining clamp
- Sound-insulating



Order number	Recommended maximum load per bracket		
	F1 [N]	F2 [N]	
10-396600	800	250	1
10-396200	800	250	1

Bracket kit for overall height of 700 - 950 mm available on request.

Angled bracket
for panel radiators with hanging lugs



Benefits:

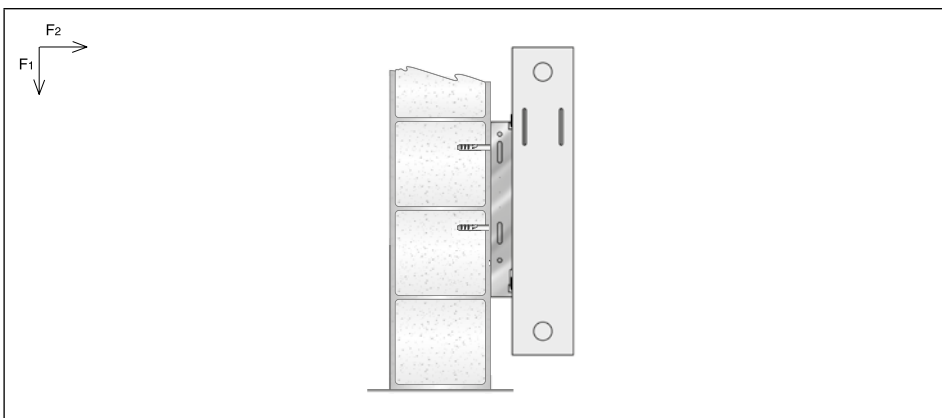
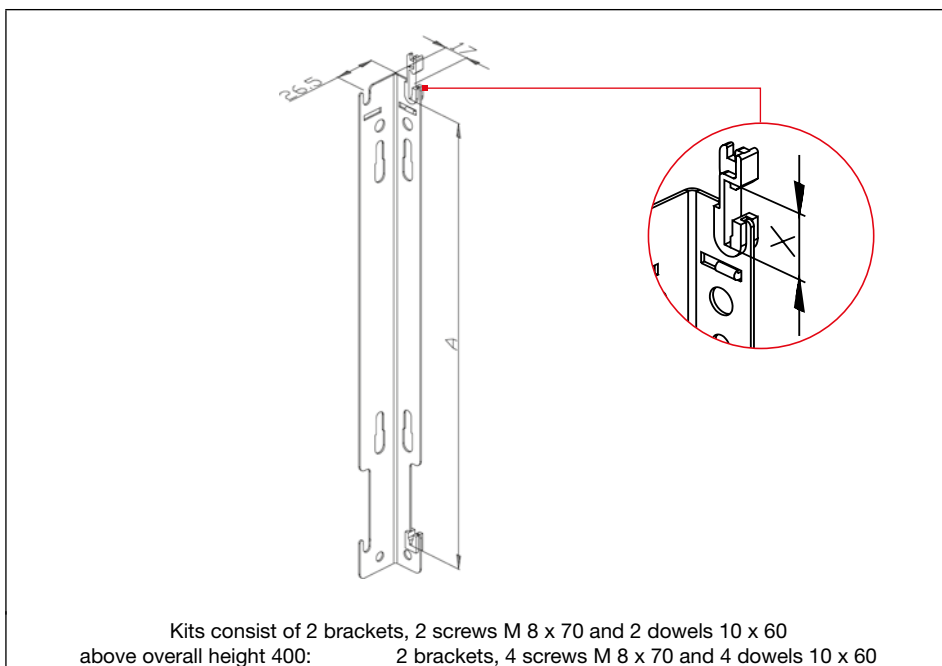
- Height-adjustable angled bracket
- Can be installed with two wall spacings
- Ease of installation
- High load-bearing values
- Includes anti-lifting mechanism

Product features:


- Galvanised metal parts
- Sound-insulating
- Anti-lifting mechanism

Accessories:

Anti-shift mechanism
10-524-25 / 10-524-40
(see page 44)

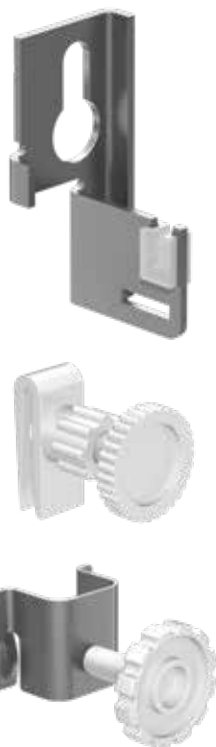


IMPORTANT: Please state dimension A with your order

Order number	Dimension X [mm]	Recommended maximum load per bracket		
		F1 [N]	F2 [N]	
10-3125...	25	1100	300	1

Product Group 2 WALL BRACKETS

Wall fixing with spacer for panel radiators with hanging lugs



Spacers on page 56



Accessories required for VDI 6036:
Pages 43/44 and 45



Benefits:

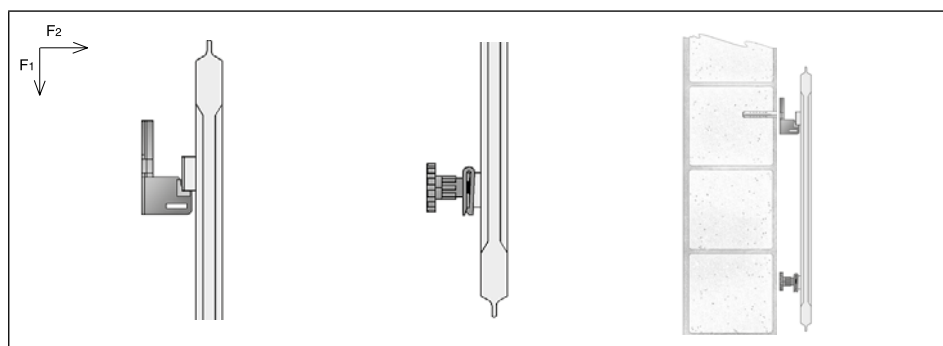
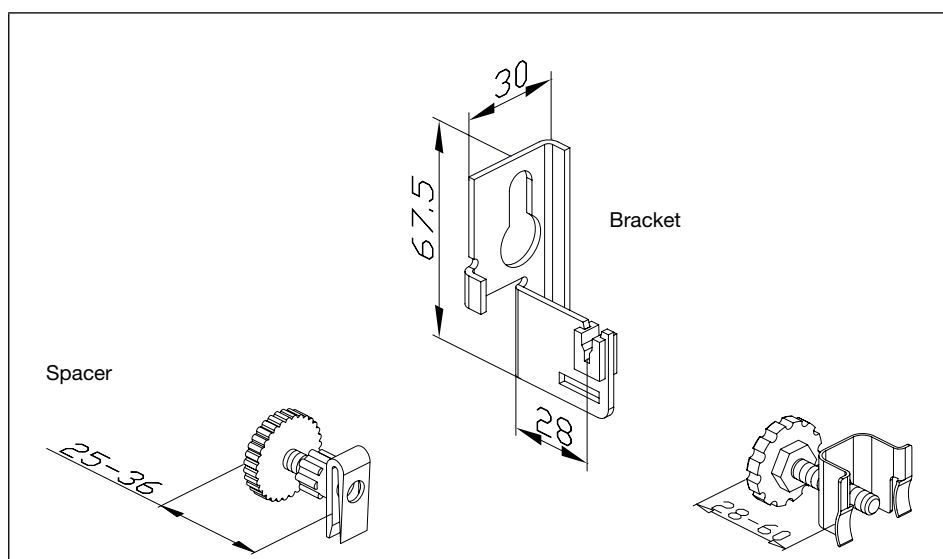
- Height-adjustable brackets
- High load-bearing values
- Ease of installation

Accessories:

VDI accessories see pages 42/43 and 44

Product features:

- Coupled with VDI accessory components, complies with VDI 6036 requirements class 3
- Galvanised metal parts
- Sound-insulating
- Spacer with plastic/metal clamping component
- Plastic knurled screw



10-3080-596	2x	2x	-	2x	2x	-	-
10-3080-596-1	2x	2x	-	2x	2x	1x	1x
10-3080-594	2x	-	2x	2x	2x	-	-

Order number	Recommended maximum load per bracket		
	F1 [N]	F2 [N]	
10-3080-596	900	500	100
10-3080-596-1	900	500	60
10-3080-594	900	500	100

Universal fixing with spacer
for panel radiators with hanging lugs



Spacers on page 56

Benefits:

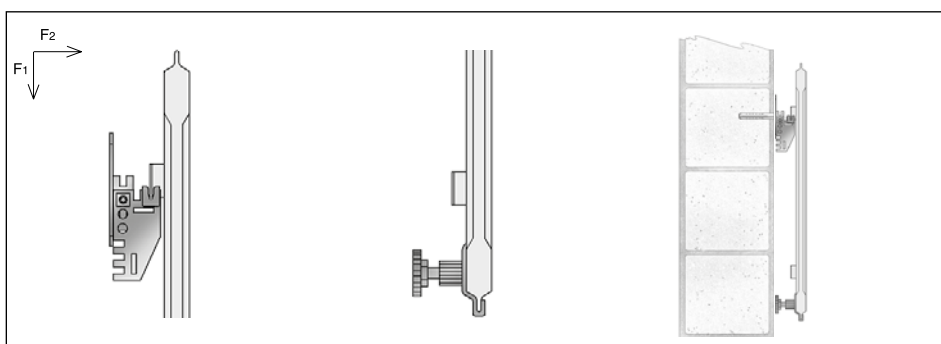
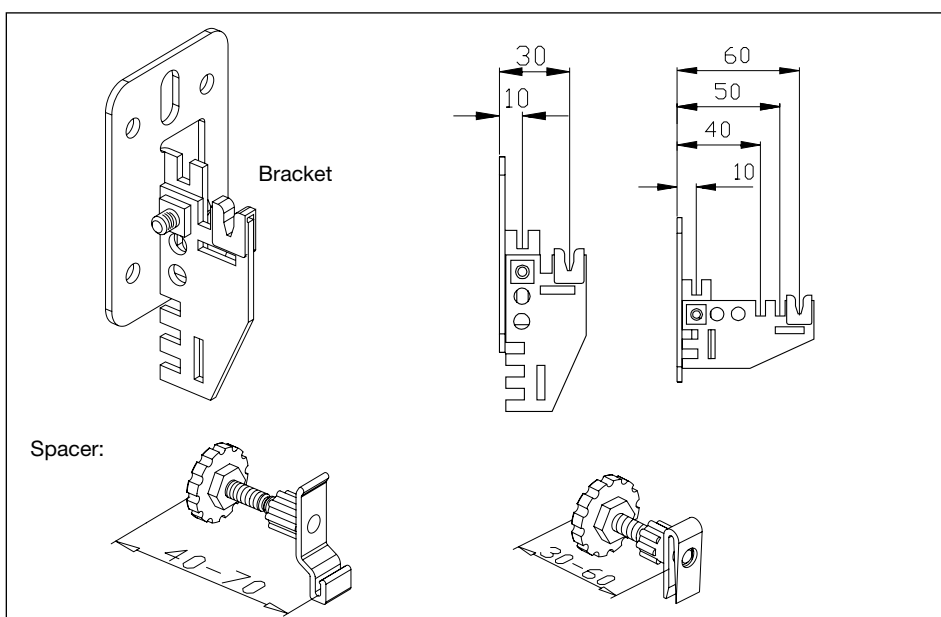
- Adjustable height and depth of bracket
- Large contact surface with the wall
- High load-bearing values
- Ease of installation

Product features:

- Galvanised metal parts
- Sound-insulating
- Spacer with plastic clamping component
- Plastic knurled screw

Accessories:

Anti-lifting mechanism
(see page 44)



10-3021	2x	2x	-	2x	2x
10-3021-596	2x	-	2x	2x	2x

Order number	Recommended maximum load per bracket		
	F1 [N]	F2 [N]	
10-3021	500	500	100
10-3021-596	500	500	100

Product Group 2 WALL BRACKETS

**Corner bracket with spacer
for panel radiators with hanging lugs**



Spacers on page 56

Benefits:

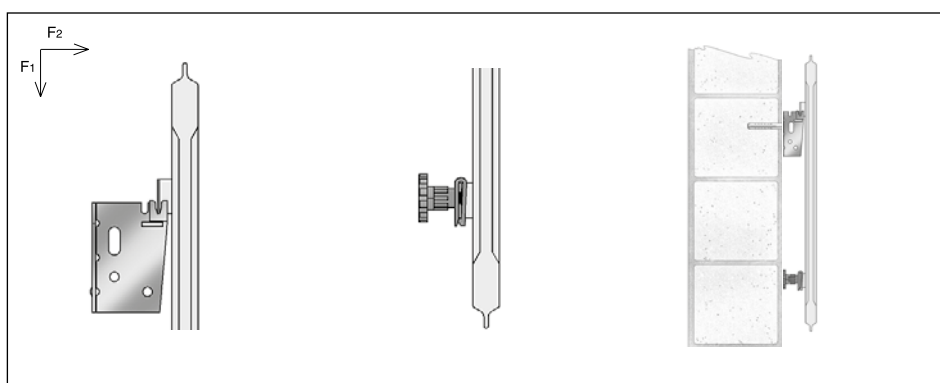
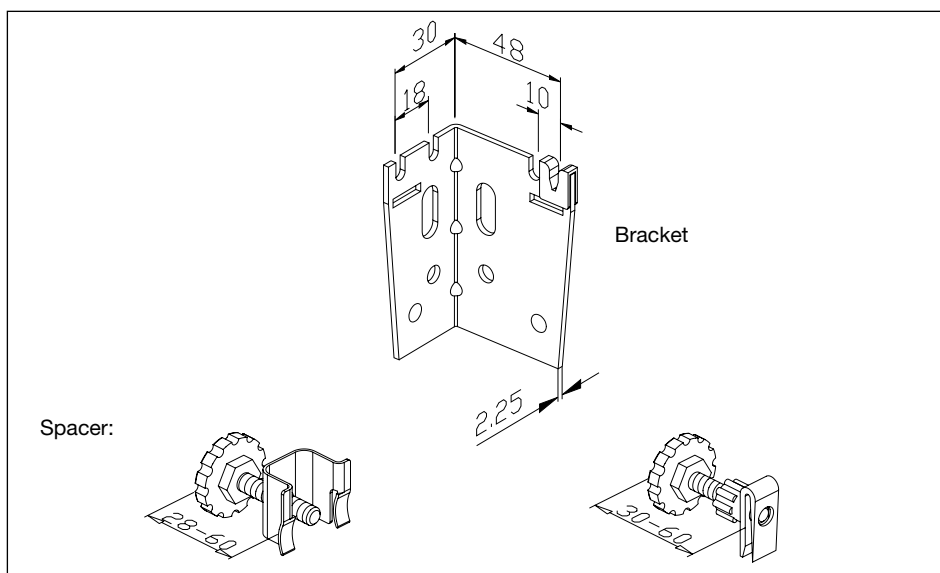
- Height-adjustable brackets
- Hinged bracket
- High load-bearing values
- Ease of installation

Product features:

- Galvanised metal parts
- Sound-insulating
- Spacer with plastic/metal clamping component
- Plastic knurled screw

Accessories:

Anti-lifting mechanism
(see page 44)



10-3079	2x	2x	-	2x	2x
10-3079-596	2x	-	2x	2x	2x

Order number	Recommended max. load per bracket with wall clearance = 30 mm		
	F1 [N]	F2 [N]	
10-3079	500	500	100
10-3079-596	500	500	100

Brackets and mountings
for panel radiators with hanging lugs



Benefits:

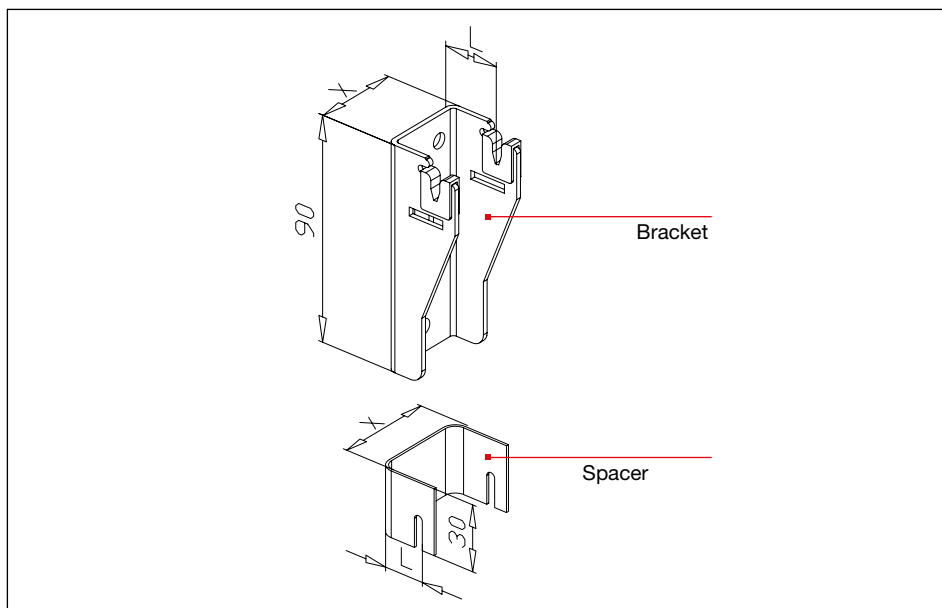
- Height-adjustable bracket
- 2 stable contact points
- High load-bearing values
- Ease of installation

Product features:

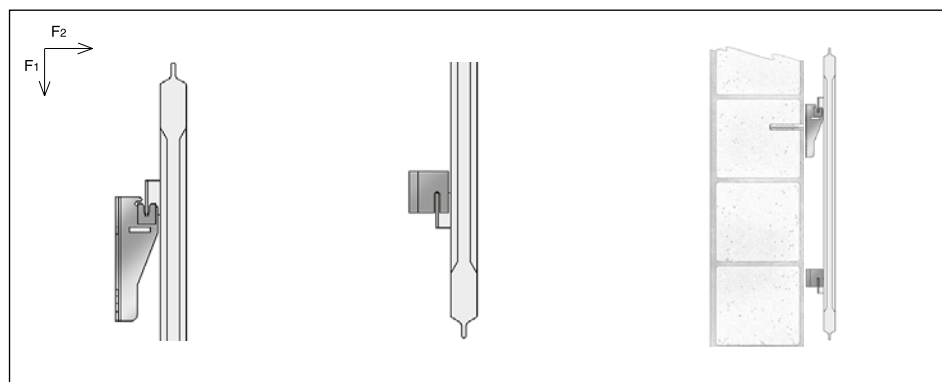
- Galvanised metal parts
- Sound-insulating
- Metal spacers

Accessories:

Anti-lifting mechanism (see page 44)



Kit consists of 2 brackets, 2 spacers, 2 screws (8 x 60 mm) and 2 dowels (10 mm).



Order number	Recommended maximum load per bracket with wall clearance = L		Dimension L [mm]	Dimension X [mm]	100
	F1 [N]	F2 [N]			
10-381	800	500	20	35	

Product Group 2 WALL BRACKETS

Stable brackets for radiators with hanging lugs, recommended for use in public buildings

Benefits:

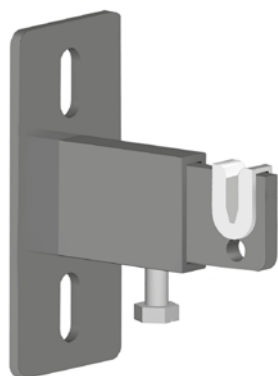
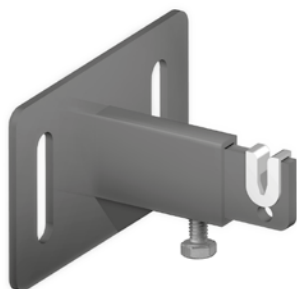
- Adjustable height and depth of bracket
- High load-bearing values through solid material design
- Large wall contact surface
- Ease of installation
- Can be rotated around 180° as an anti-lifting mechanism

Product features:

- Galvanised metal parts
- Sound-insulating
- Solid screw plate (10-531 = 65 x 110 x 3 mm, 10-533/10-534 = 42 x 90 x 3 mm)

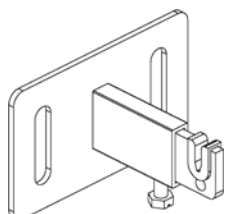
Accessories:

Sound insulation and anti-lifting mechanism see below

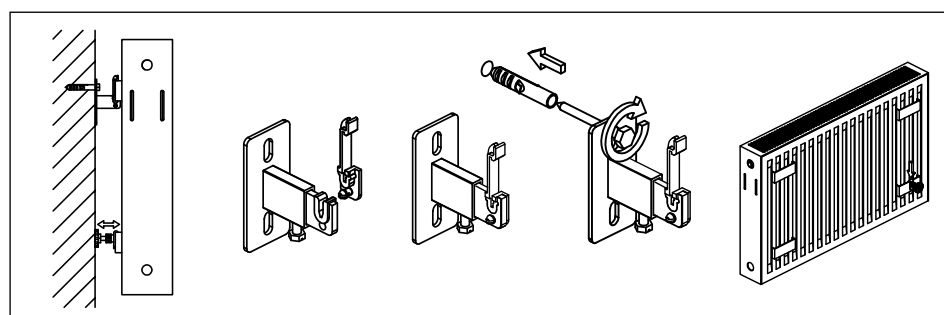
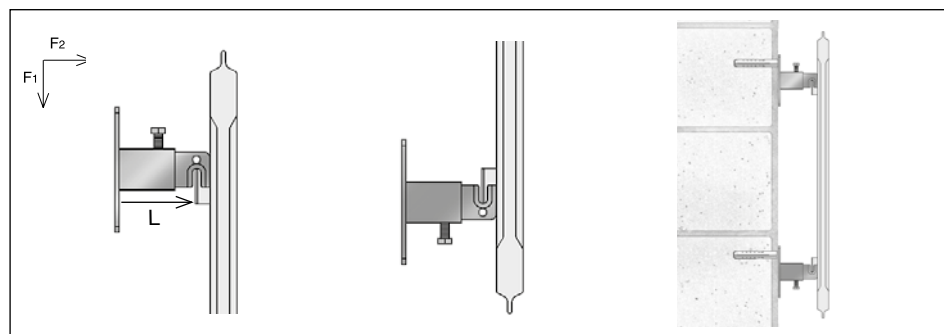
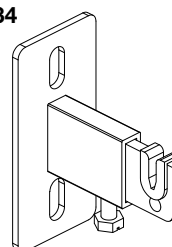


Sound insulation and anti-lifting mechanism

10-531



10-533/10-534



Order number	Recommended maximum load per bracket with screw position S and wall clearance L			Dimension L [mm]	Image
	F1 [N]	F2 [N]	L [mm]		
10-531-55	1100	350	50	40-50	100
10-531-85	800	350	120	83-128	100
10-533	1100	350	70	50-70	100
10-5330 (white pain.)	1100	350	70	50-70	100
10-534	1000	350	90	70-90	100
10-5340 (white pain.)	1000	350	90	70-90	100

Other adjustment dimensions are available on request.

Order number	Name	Image
10-0400	Sound insulation and anti-lifting mechanism 40 mm, lug height	50
10-0250	Sound insulation and anti-lifting mechanism 25 mm, lug height	50

Wall brackets
for convectors, powder-coated white, including anti-lifting mechanism

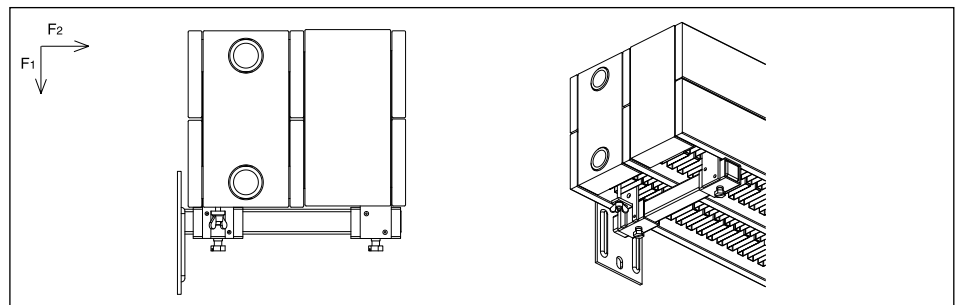
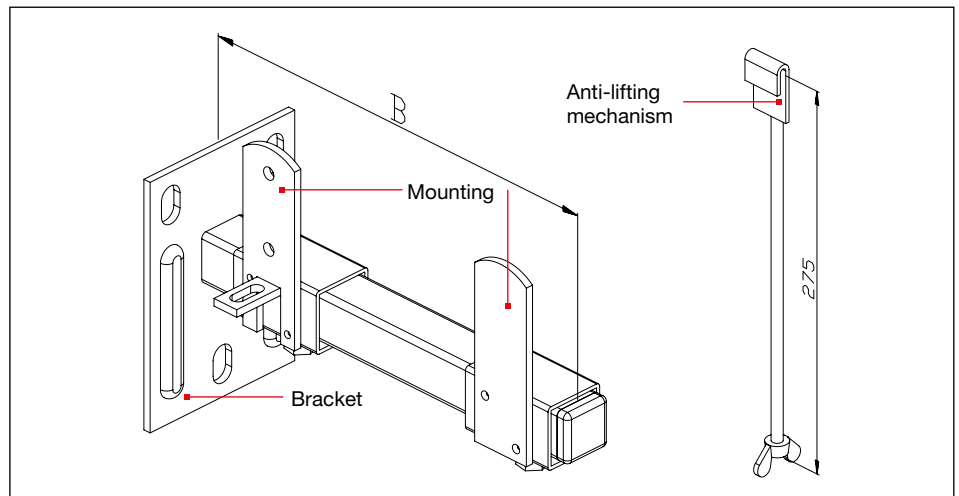



Benefits:

- All-purpose brackets
- Sturdy design, 100% metal
- High load-bearing values
- Ease of installation
- Includes anti-lifting mechanism

Product features:

- Bracket and mountings powder-coated in white
- Sound-insulating



Order number	Recommended maximum load per bracket F1 [N]	Dimension B	
10-5410-276*	1200	276	10
10-5410-358*	800	358	10

*Discontinued product

Product Group 2 WALL BRACKETS

Senior Standard
Universal fixing for compact and panel radiators

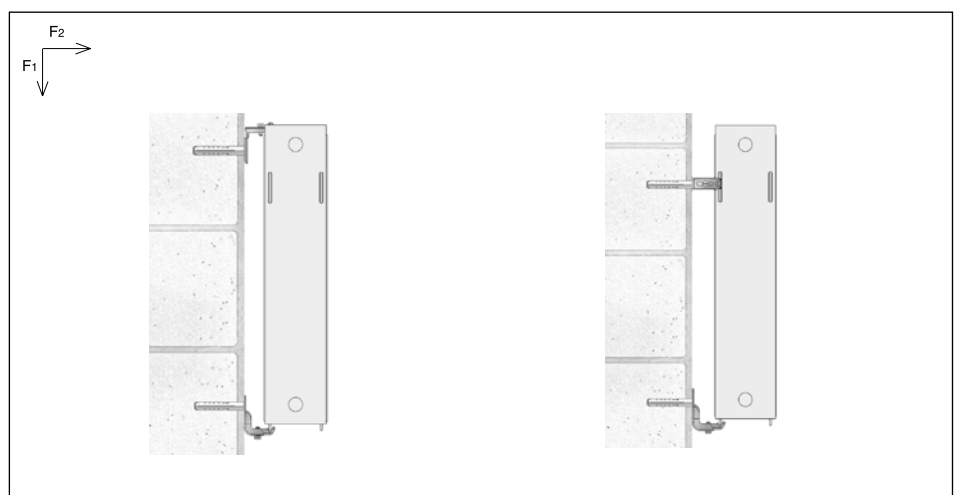
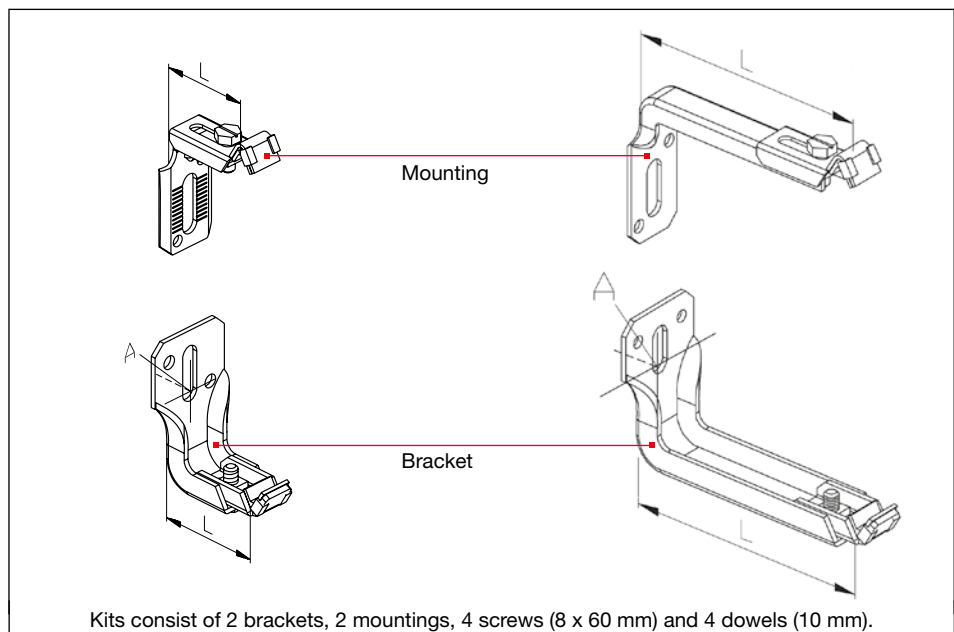



Benefits:

- Adjustable height and depth of brackets and mountings
- Rotating the mounting also provides for side installation
- High load-bearing values
- Ease of installation

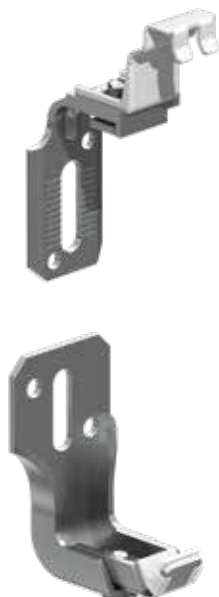
Product features:

- Galvanised metal parts
- Sound-insulating



Order number	Recommended maximum load per bracket with Screw position A and wall clearance L			Dimension L [mm]	
	F1 [N]	F2 [N]	L [mm]		
10-338	1000	200	45	45-55	100
10-338-1	550	200	65	65-80	100
10-304	350	150	105	105-115	100

Senior Valve Universal fixing for compact and panel radiators without hanging lugs, for installation above the cover grille

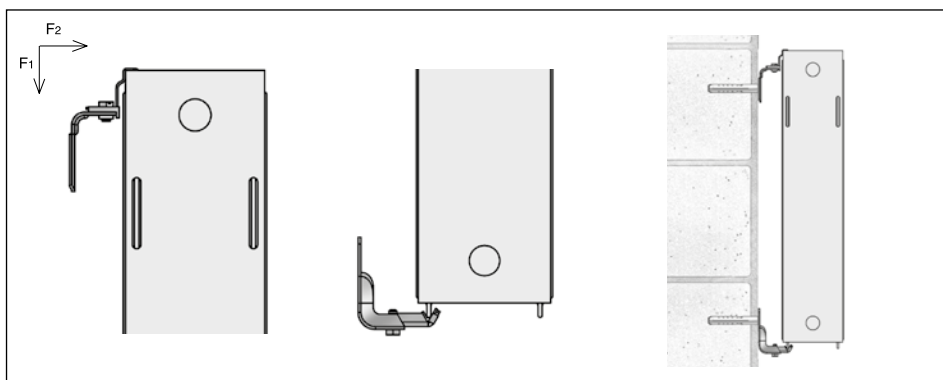
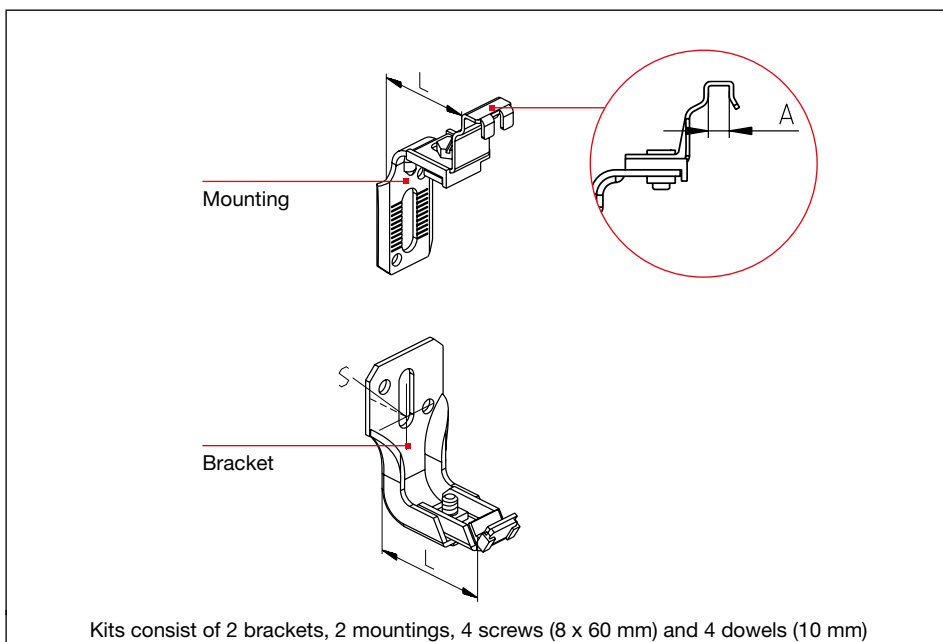


Benefits:


- Adjustable height and depth of brackets and mountings
- Ease of installation thanks to the cover strip
- High load-bearing values

Product features:

- Galvanised metal parts
- Sound-insulating
- Powder-coated retaining clamp




Other A dimensions are available on request

Order number	Recommended maximum load per bracket with screw position S and wall clearance L = 45		Dimension A [mm]	Dimension L [mm]	 100
	F1 [N]	F2 [N]			
10-306-01	1000	220	8-9	45-50	

Product Group 2 WALL BRACKETS

**Universal brackets and mountings
for DIN-compliant steel and cast-iron radiators**

 **VDI 6036**
(see also page 64)

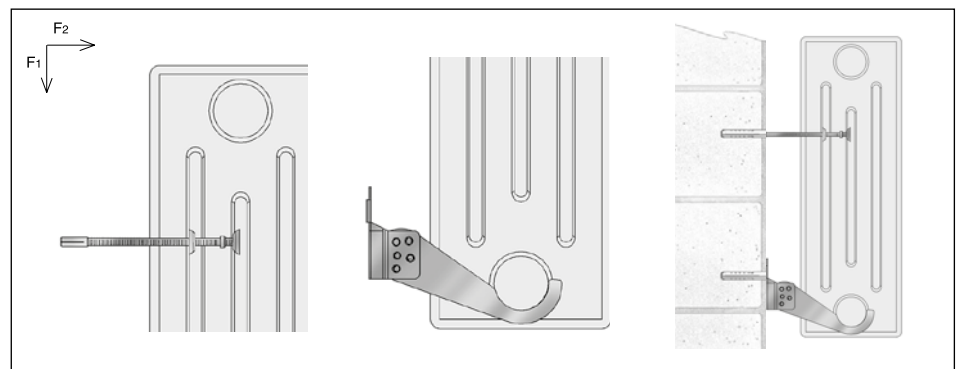
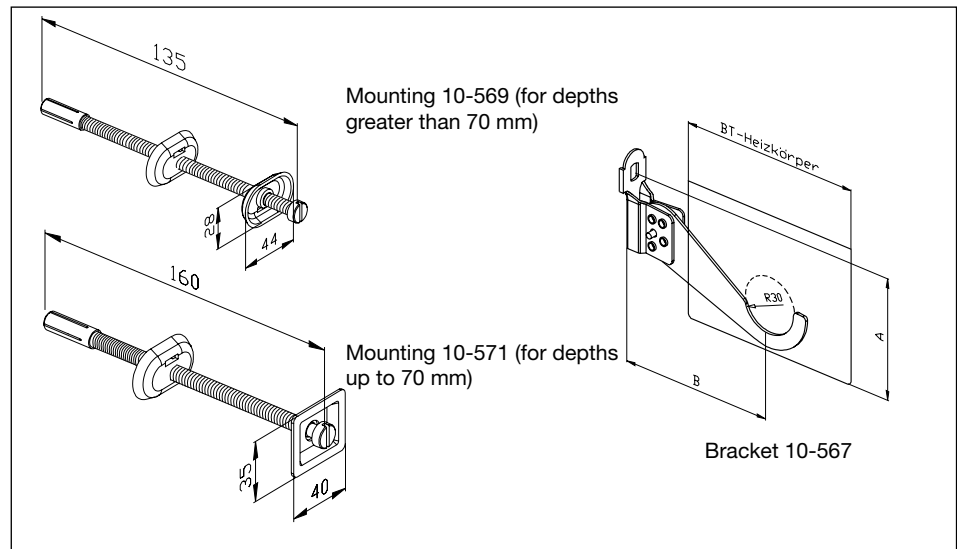



Benefits:

- Adjustable height and depth of bracket
- Bracket and mounting for all depths
- Wall spacing with all settings 40 mm
- High load-bearing values
- Ease of installation

Product features:

- Galvanised metal parts
- Provides for compliance with VDI 6036 requirements class 2



Order number	Recommended maximum load per bracket with a depth of 70 mm		
	F1 [N]	F2 [N]	
10-569	-	700	100
10-571	-	700	100
10-567	see table below	-	50

Depth	Dimension A	Dimension B	F1 [N]
70	235	75	1000
110	230	95	1000
160	205	120	1000
220	180	150	1000
250	150	165	1000

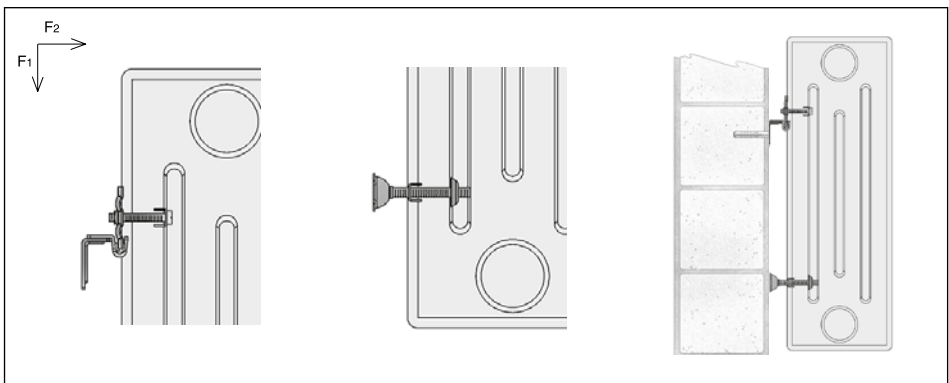
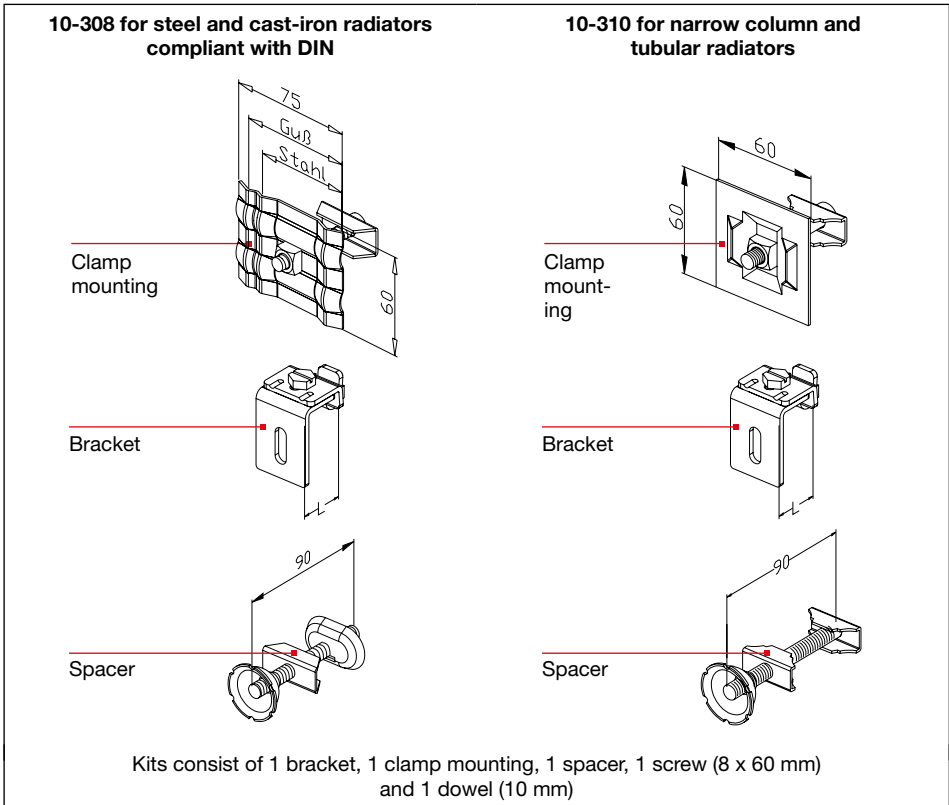
Adjustable brackets with clamp mounting for radiators

Benefits:

- Adjustable height and depth of bracket
- High load-bearing values
- Ease of installation

Product features:

- Galvanised metal parts
- Sound-insulating



Order number	Recommended maximum load per bracket with wall clearance L = 35		Dimension L [mm]	
	F1 [N]	F2 [N]		
10-308	500	500	35-45	100
10-310	500	500	35-45	100

Product Group 2 WALL BRACKETS

Brackets with clamp mounting for DIN-compliant steel radiators



Benefits:

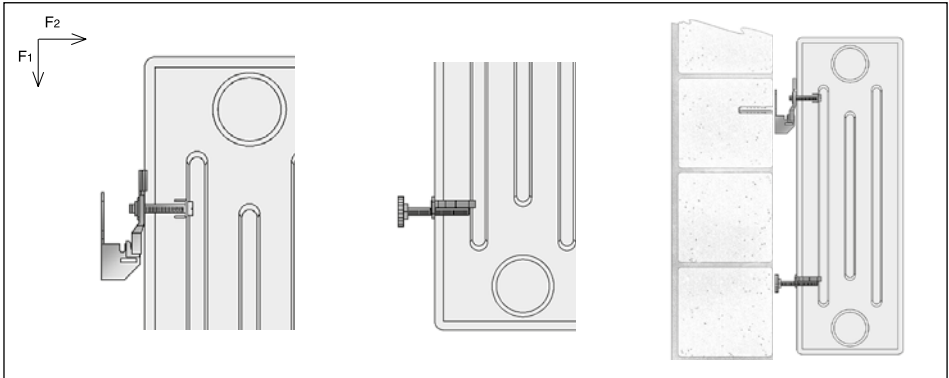
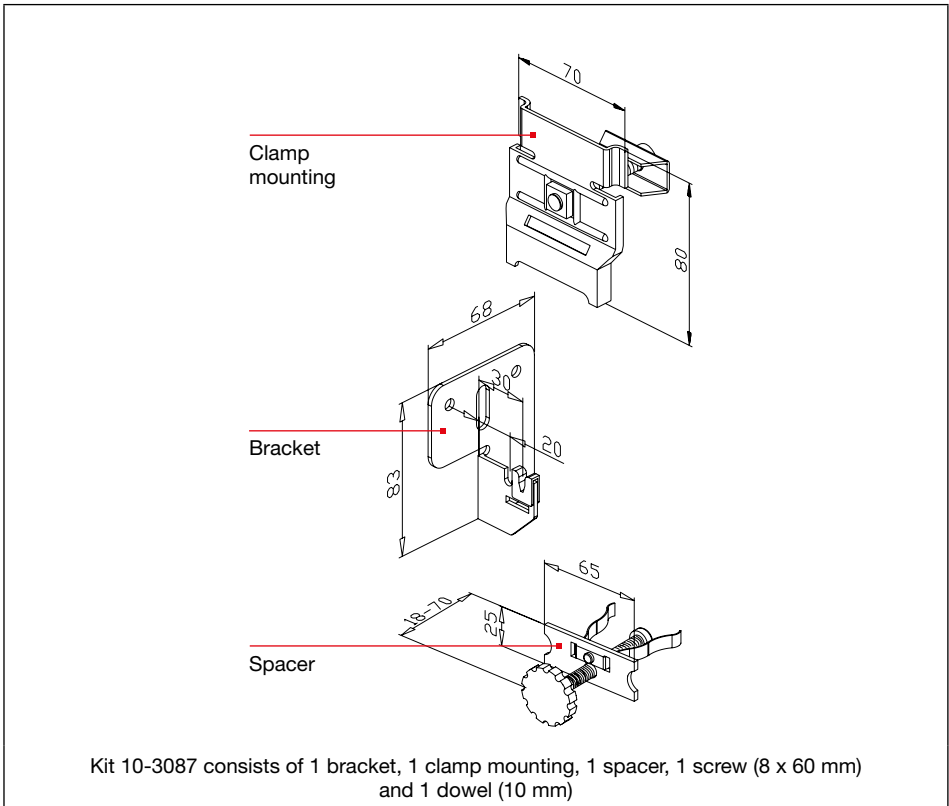
- Height-adjustable bracket
- High load-bearing values
- Ease of installation

Product features:

- Galvanised metal parts
- Sound-insulating
- Knurled screw in the clamp mounting with plastic head

Accessories:

Anti-lifting mechanism (see page 44)



Order number	Recommended maximum load per bracket with wall clearance = 30 mm		
	F1 [N]	F2 [N]	
10-3087	500	500	100

Wall fixing
for tubular radiators

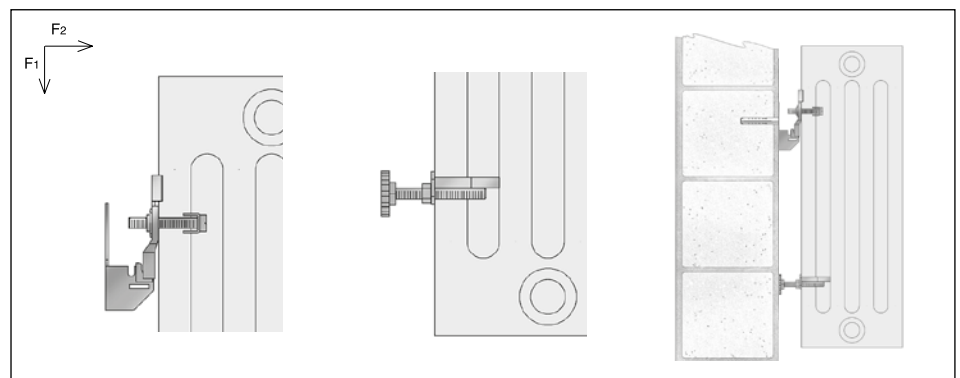
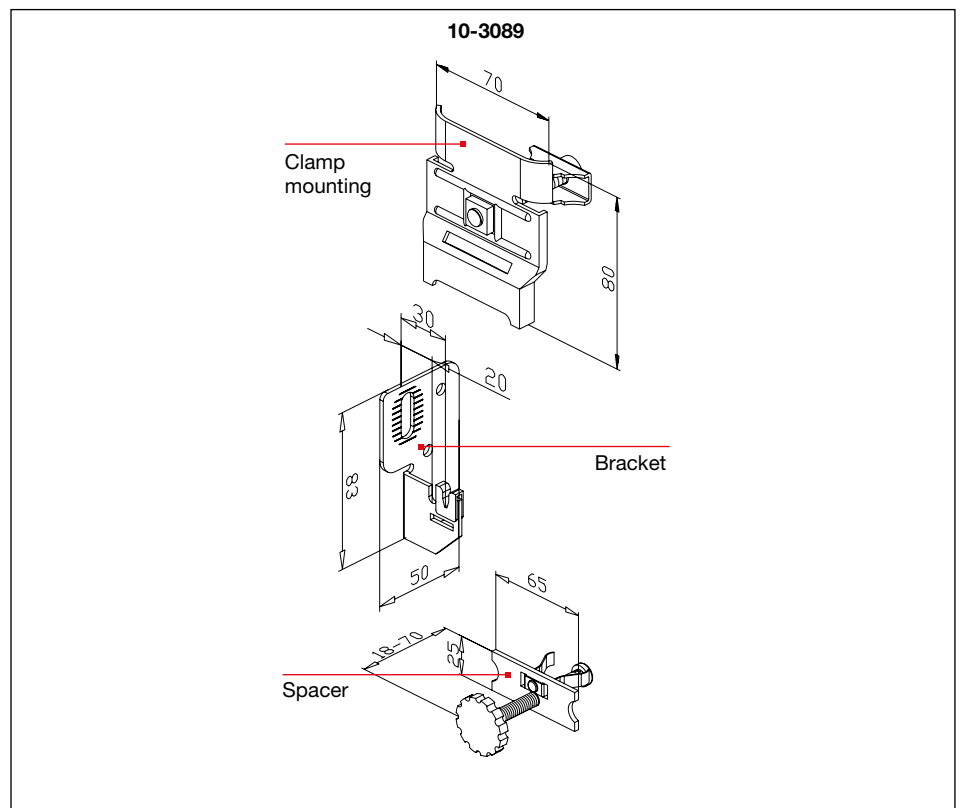


Benefits:

- Height-adjustable brackets
- High load-bearing values
- Ease of installation

Product features:

- Galvanised metal parts
- Sound-insulating
- Knurled screw in the clamp mounting with plastic head



Order number	Recommended maximum load per bracket with wall clearance = 30 mm		100
	F1 [N]	F2 [N]	
10-3089	500	500	

Product Group 2 **WALL BRACKET ACCESSORIES**

**Installation template
for valve radiators**



Benefits:

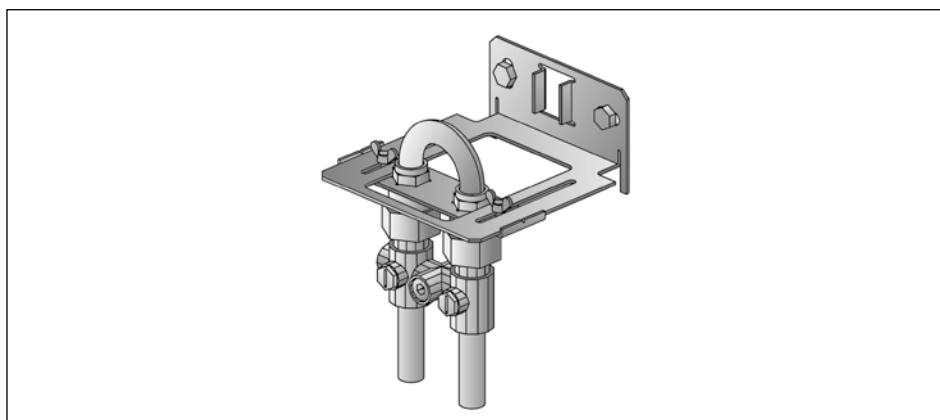
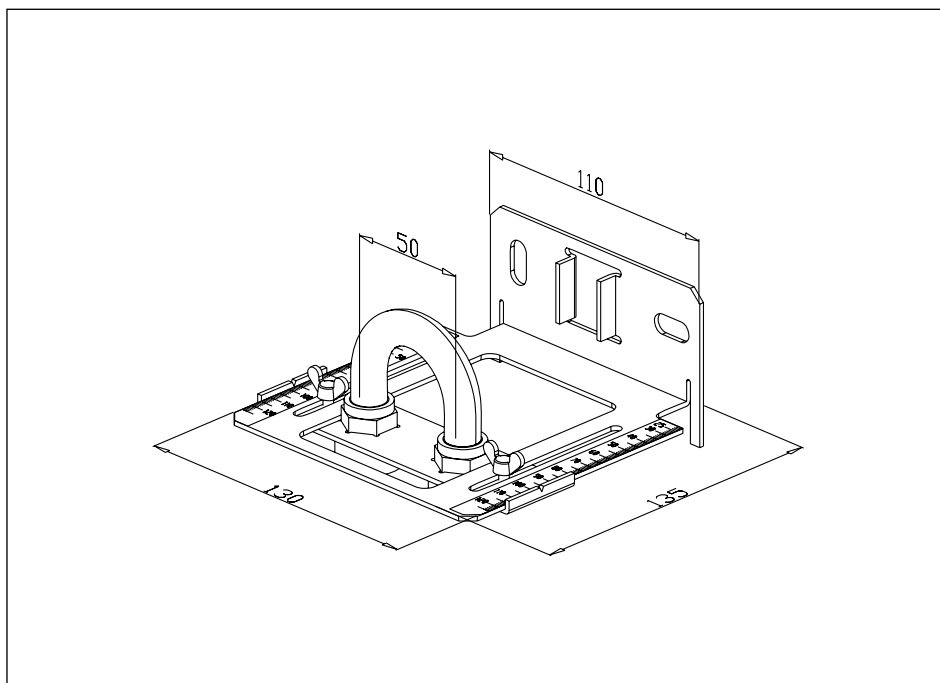
- Connections pre-assembled without radiator panel
- Right or left connection may be used
- System bypass checked for leak-tightness
- With G 3/4" male thread
- Ease of installation
- Adjustable using slotted holes


Product features:

- Galvanised metal parts
- Continuous compressive strength 13 bar

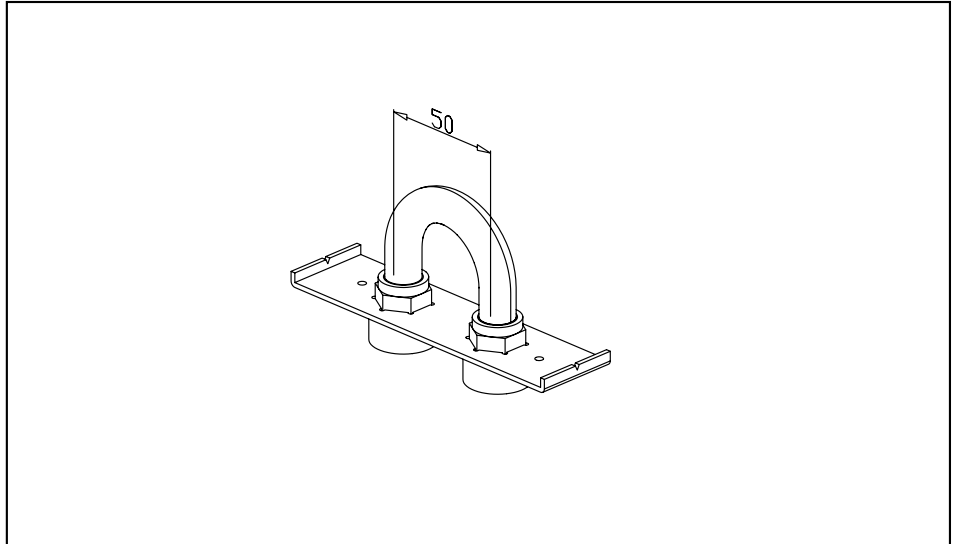
Accessories:

Bridging blocks
(see page 45)



Order number	with scale	
10-45020	in mm increments	10

Bypass for installation template
with G 3/4" male thread, nickel-plated



Order number	
10-45501	10

Product Group 2 WALL BRACKET ACCESSORIES FOR VDI 6036

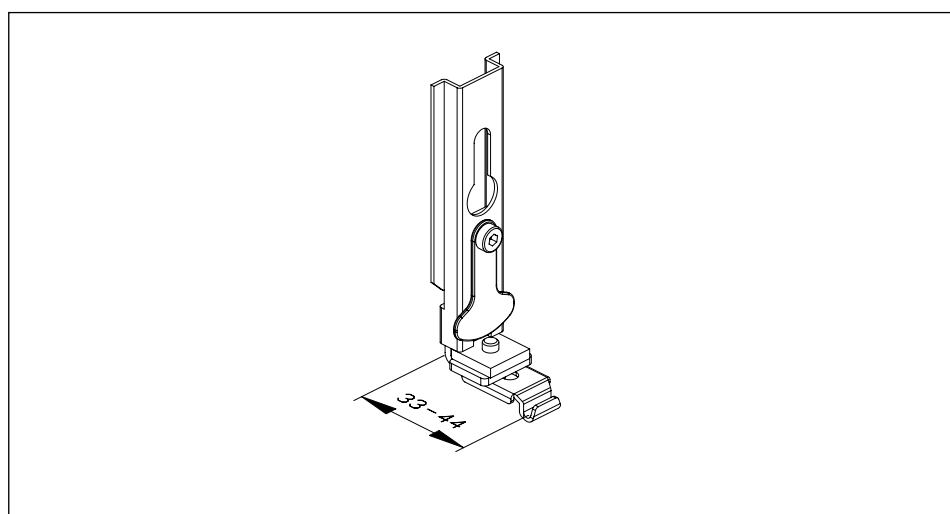
**VDI 6036 anti-lifting mechanism
can be used for panel radiators, galvanised**


Benefits:

- Anti-lifting and anti-shift mechanism
- Adjustable depth of anti-lifting mechanism
- Mounting clamp with 3-step notch function, easy to dismantle
- Fully pre-assembled

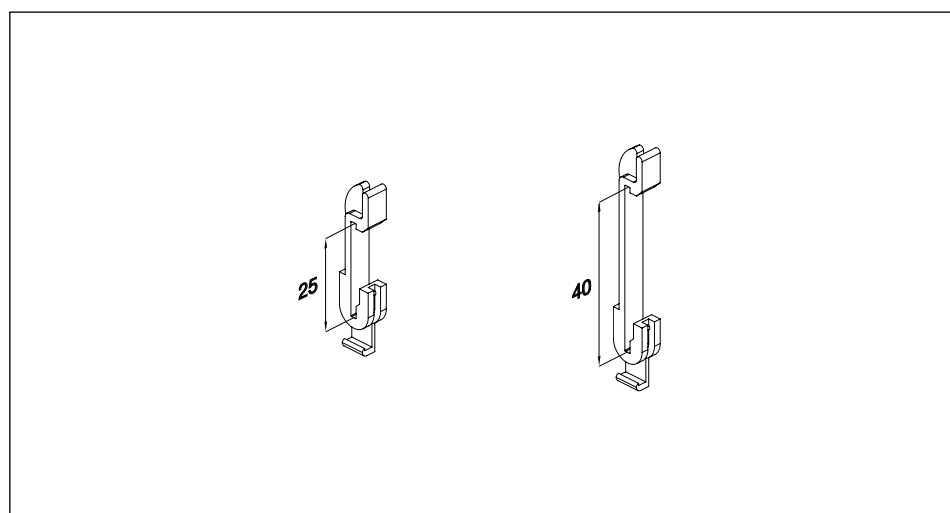
Product features:

- Galvanised metal parts



Order number	
10-5120*	50

*Discontinued product



Order number	For lug height [mm]	
10-0581-1*	25	50

*Discontinued product

Anti-shift mechanism for WS EKV

which can be used to prevent panel radiators from moving sideways

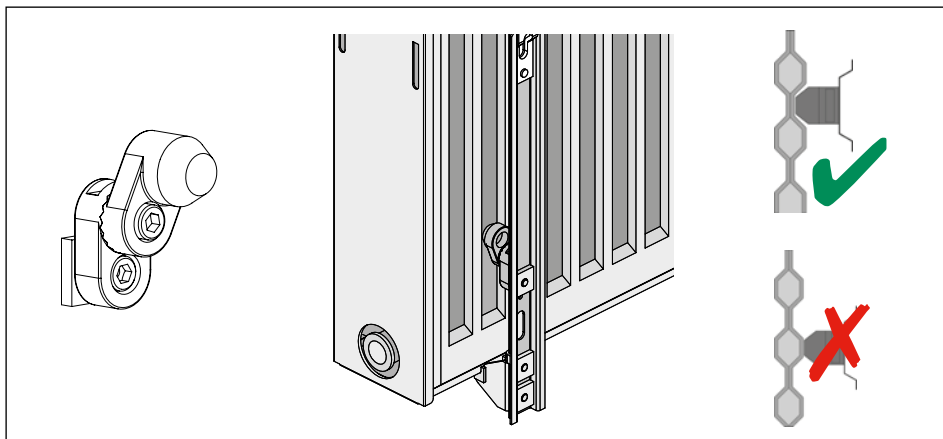


Benefits:

- Fully pre-assembled anti-shift mechanism for installation on the wall rail
- With step adjustment for precise adaptation to the panel radiator

Product features:

- Coupled with wall rail WS EKV (page 25) complies with VDI 6036 requirements class 3
- Plastic securing components
- Galvanised metal parts



Order number	
10-5241	20

Anti-shift mechanism for installation on the lug

which can be used to prevent panel radiators from moving sideways

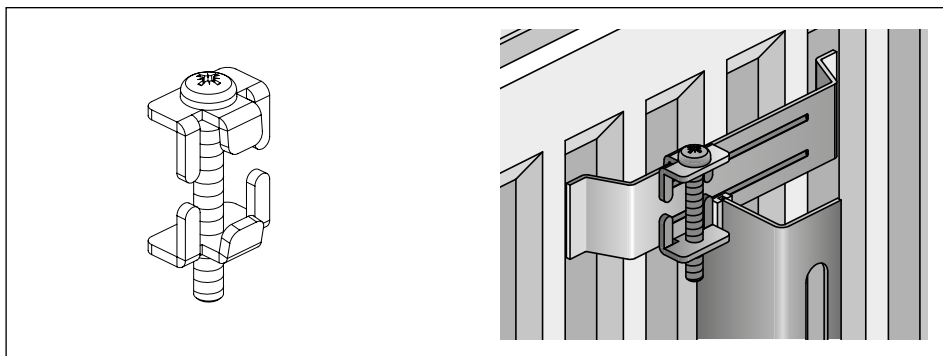



Benefits:

- Fully pre-assembled anti-shift mechanism for installation on the hanging lug of the radiator

Product features:

- Coupled with the specified stand and wall brackets, provides for radiator installation in compliance with VDI 6036
- Galvanised



Order number	For lug height [mm]	
10-524-25	20 - 25	25
10-524-40*	40	25

*Discontinued product

Product Group 2

**Design cover cap for bracket from kit 10-3080-...
white plastic**

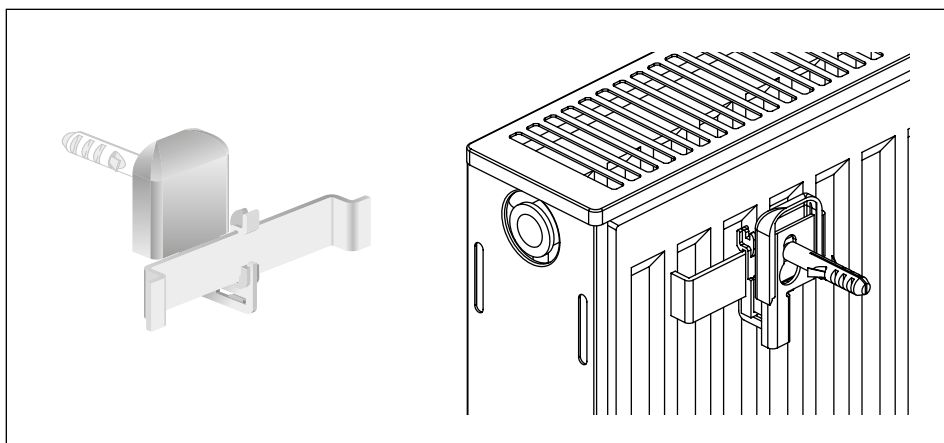


Benefits:

- Attractive design cover cap to cover the wall bracket from fixing kit 10-3080-...
- Secure grip on the bracket due to snap-in mechanism

Product features:

- White ABS plastic



Order number	
10-0075	20

**Anti-lifting mechanism
for wall brackets, galvanised**

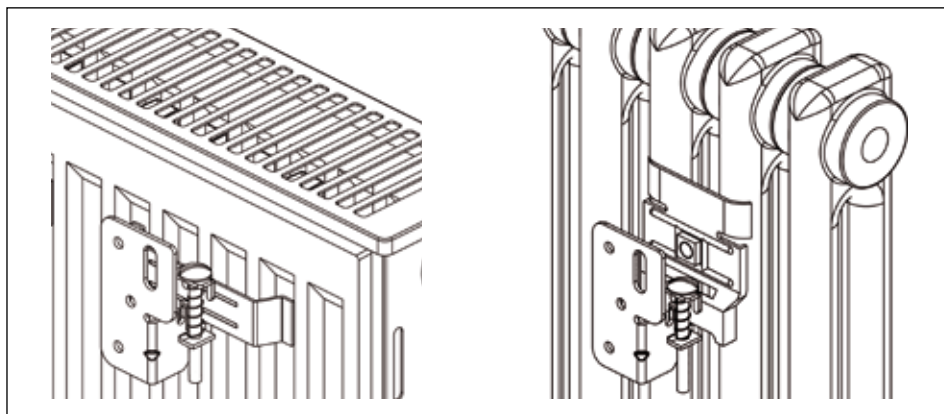


Benefits:

- Fully pre-assembled anti-lifting mechanism
- Can be used for hanging lugs or in conjunction with clamp mountings 553, 555, 5550

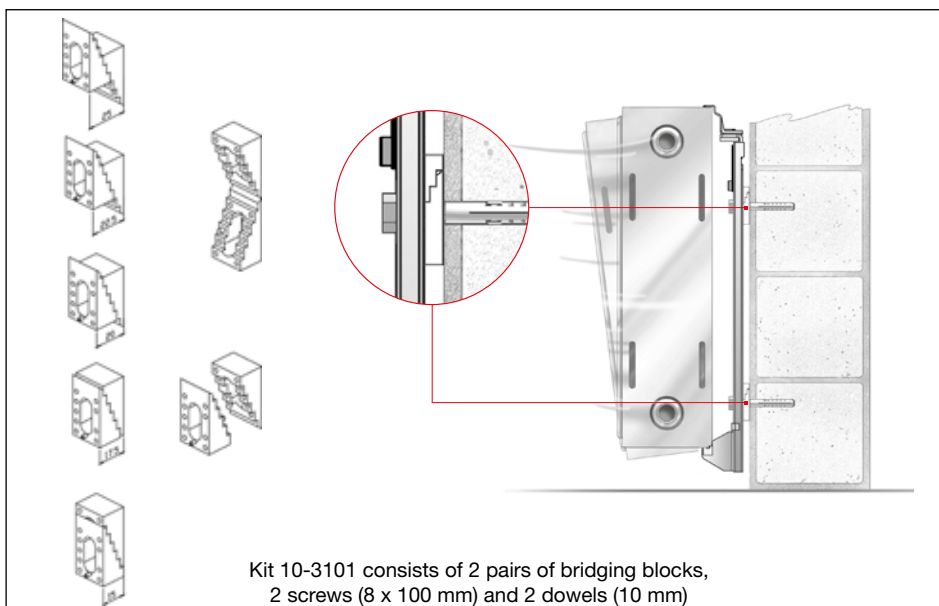
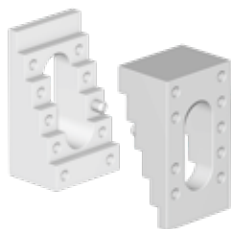
Product features:

- Galvanised metal parts



Order number	For lug height [mm]	
10-591	25 - 40	300

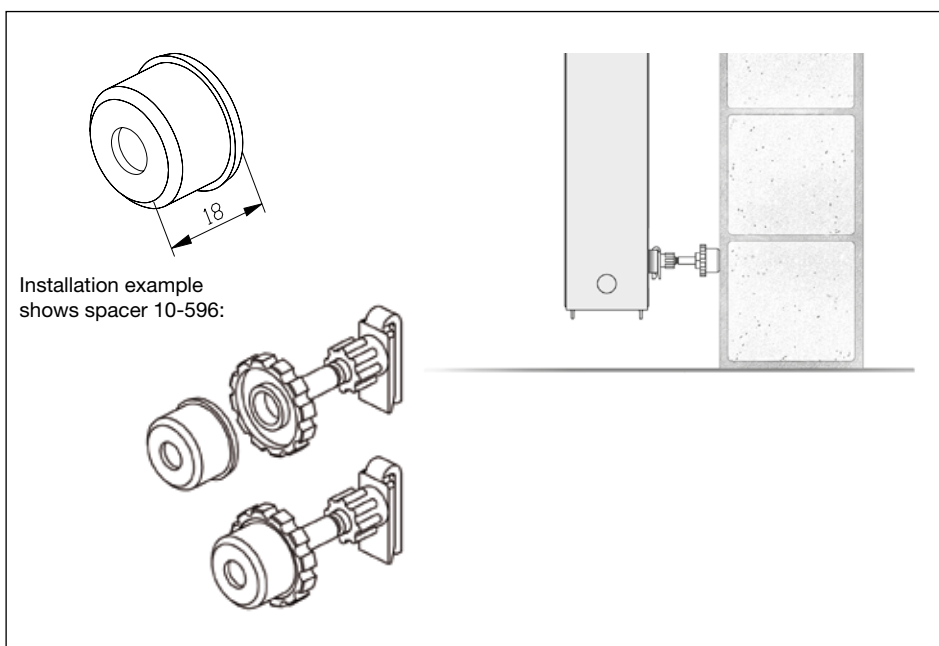
**Bridging blocks for installation on unfinished walls etc.
including step setting for plug-in brackets**



Kit 10-3101 consists of 2 pairs of bridging blocks,
2 screws (8 x 100 mm) and 2 dowels (10 mm)

Order number	Dimension L [mm]	
10-3101	15 - 25	50

**Plaster cap for installation on unfinished walls etc.
fits on the spacer using a knurled screw (plastic)**



Installation example shows spacer 10-596:

Order number	
10-590	100

Product Group 3 DRILL BRACKETS

RHE all-purpose drill bracket
for all panel radiators with and without hanging lugs



Accessories required for VDI 6036:
10-526
(page 52)



Benefits:

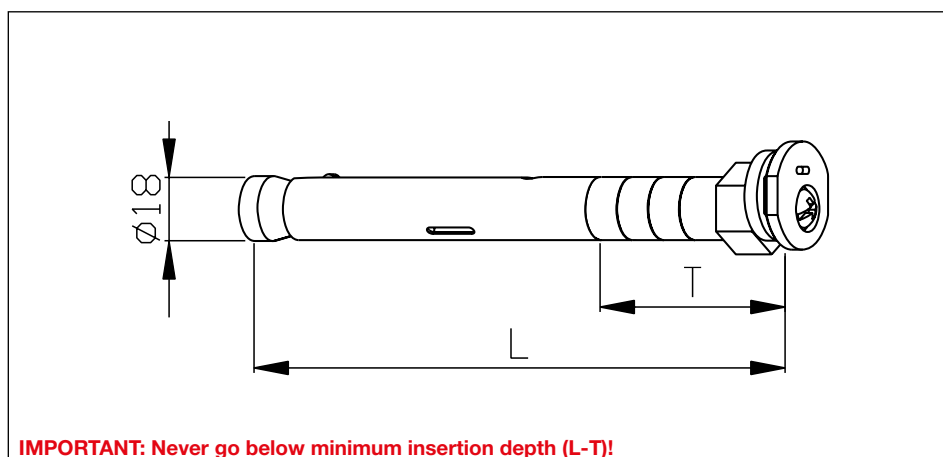
- Height adjustment using hexagonal eccentric screw (approx. range 8.5 mm)
- For all problem materials, including clay block walling

Product features:

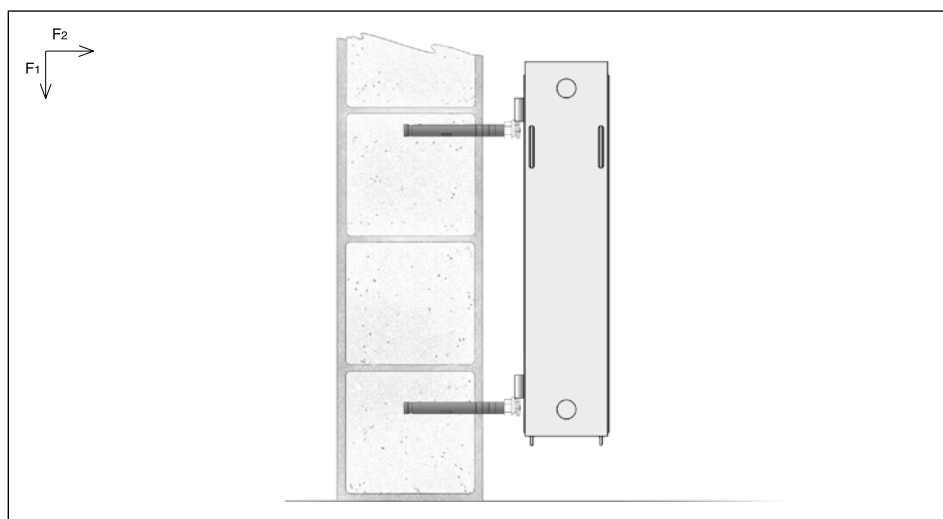
- Coupled with VDI accessory kit 10-526 and wall clearance $T = 30$ mm, complies with VDI 6036 requirements class 3
- Galvanised metal parts

Accessories:


VDI accessory kit, clamp mounting, spacer and anti-lifting mechanism (see page 52)



IMPORTANT: Never go below minimum insertion depth (L-T)!



Drill bracket kits can be found at the end of this product group

Order number	Type	Recommended max. load per bracket with wall clearance T			Dimension L [mm]	
		F1 [N]	F2 [N]	D [mm]		
10-670	RHE	1600	500	30	100	100
10-671	RHE	1000	500	50	130	100
10-672	RHE	600	500	80	160	100
10-673	RHE	500	500	100	200	100
10-674	RHE	400	500	120	240	100

RHP all-purpose drill bracket with socket hole for mounting



Benefits:

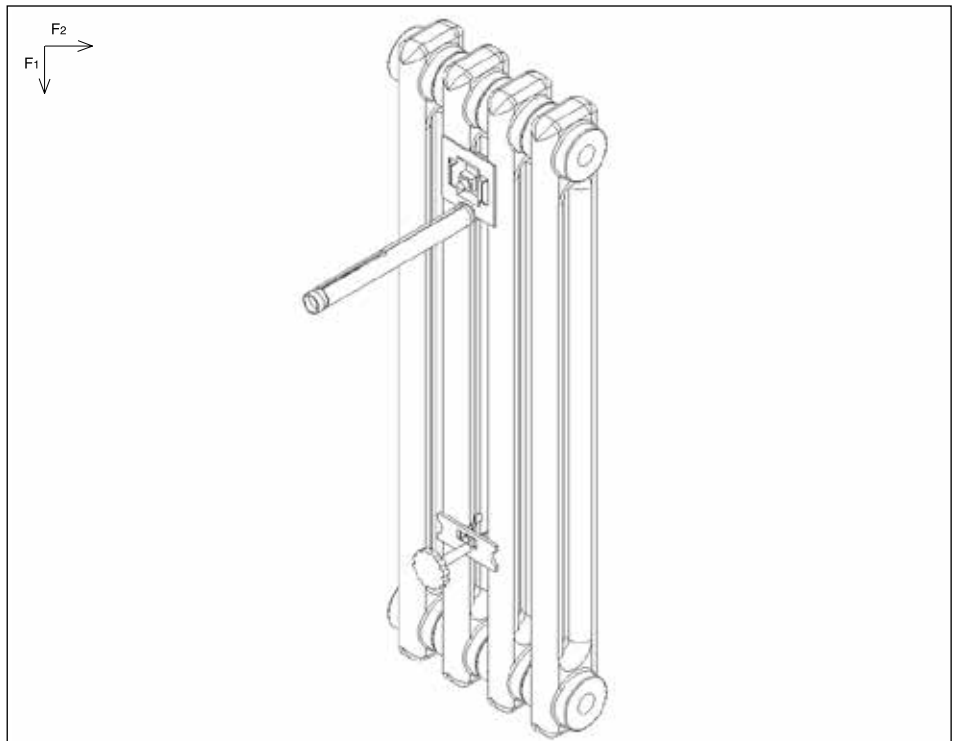
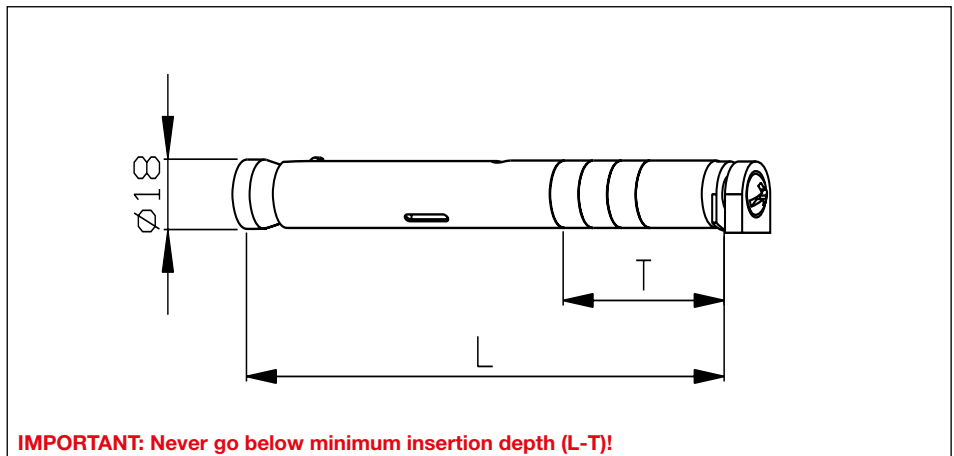
- For use as a mounting and support bracket in conjunction with mountings and clamp mountings

Product features:

- Galvanised metal parts

Accessories:

Clamp mountings and mountings (see pages 53-54)



Order number	Type	Recommended max. load per bracket with wall clearance T			Dimension L [mm]	
		F1 [N]	F2 [N]	D [mm]		
10-675	RHP	1600	500	30	100	100
10-676	RHP	1000	500	50	130	100
10-677	RHP	600	500	80	160	100
10-678	RHP	500	500	100	200	100
10-679	RHP	400	500	120	240	100

Product Group 3 DRILL BRACKETS

**RHG all-purpose drill bracket
with M8 screw thread**

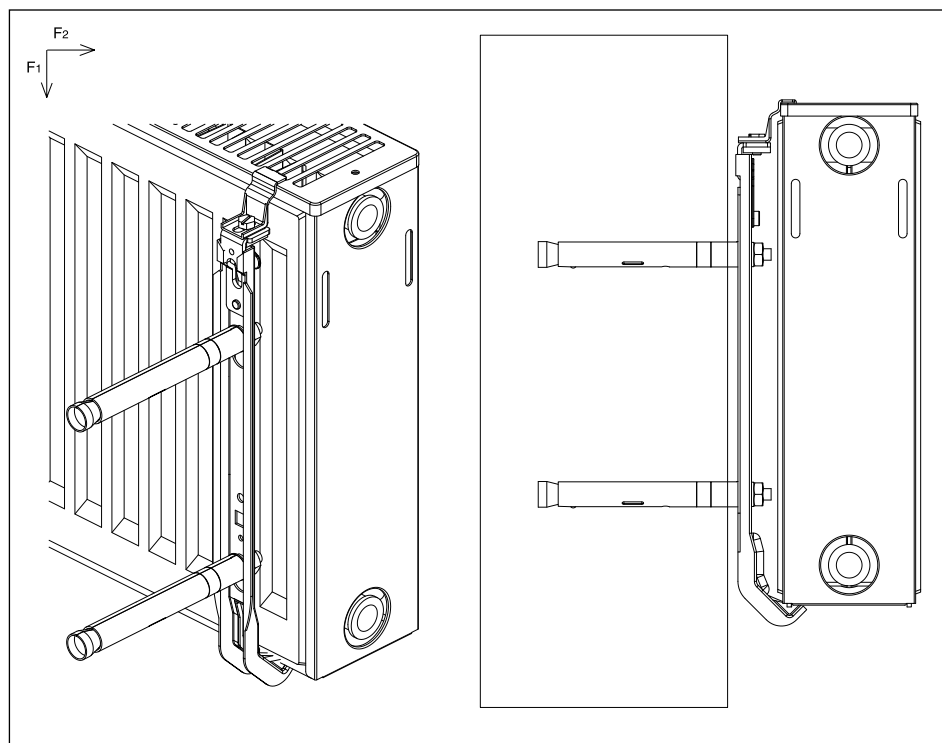
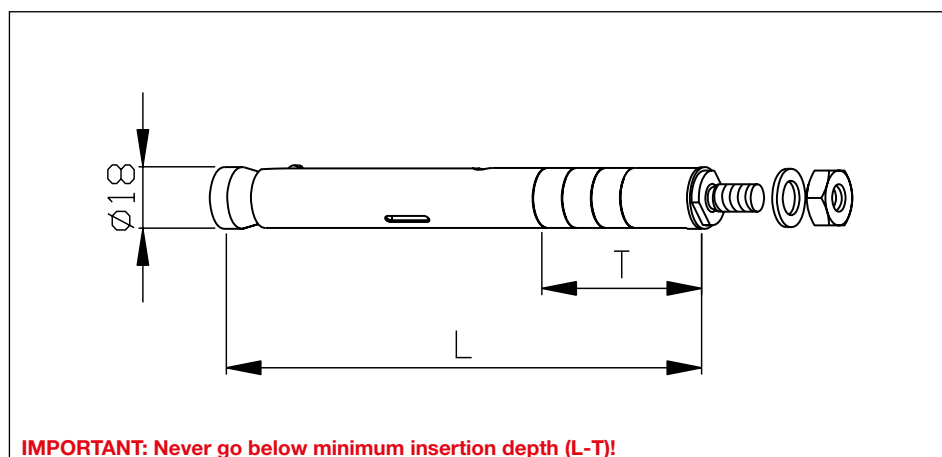


Benefits:

- Versatile uses thanks to M 8 screw thread
- For all problem materials, such as clay block wall etc.

Product features:

- Galvanised metal parts



Order number	Type	Recommended max. load per bracket with wall clearance T			Dimension L [mm]	D [mm]
		F1 [N]	F2 [N]	D [mm]		
10-680	RHG	1600	500	30	100	100
10-681	RHG	1000	500	50	130	100
10-682	RHG	600	500	80	160	100
10-683	RHG	500	500	100	200	100

RH all-purpose drill brackets
RHL version for radiators with hanging lugs



Benefits:

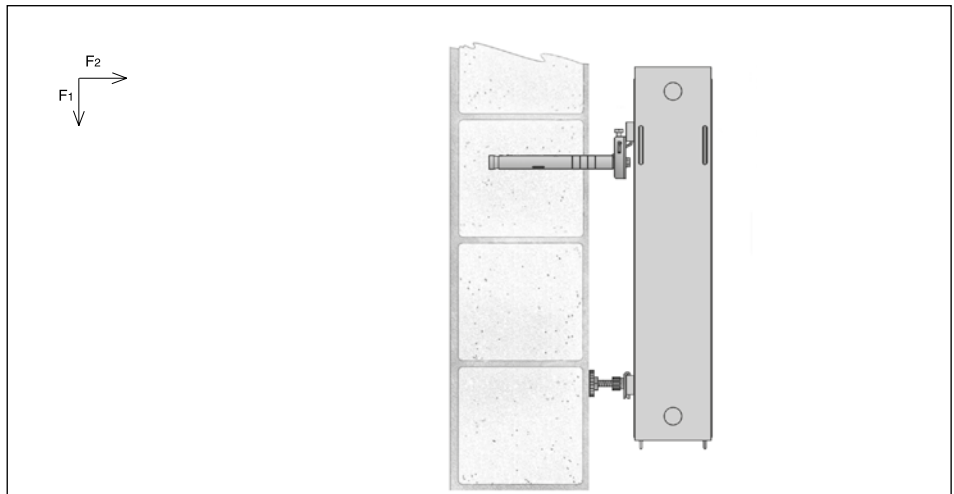
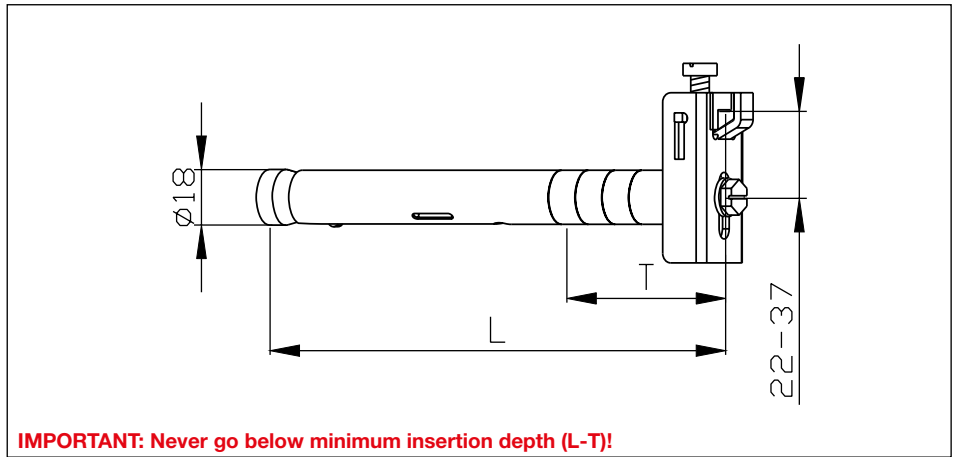
- Height adjustment using adjustment screw in the mounting
- For all problem materials, such as clay block walling etc.
- Also suitable for clamp mountings


Product features:

- Galvanised metal parts

Accessories:

Clamp mountings and spacers (see pages 55-56)



Order number	Type	Recommended max. load per bracket with wall clearance T			Dimension L [mm]	
		F1 [N]	F2 [N]	D [mm]		
10-685	RHL	500	500	20	100	100
10-686	RHL	500	500	30	130	100
10-687	RHL	500	500	50	160	100
10-688	RHL	500	500	50	200	100
10-689	RHL	500	500	70	240	100

Product Group 3 DRILL BRACKET KITS

Drill bracket kits - RHV -RHV drill bracket in conjunction with RHE drill bracket for panel radiators without hanging lugs

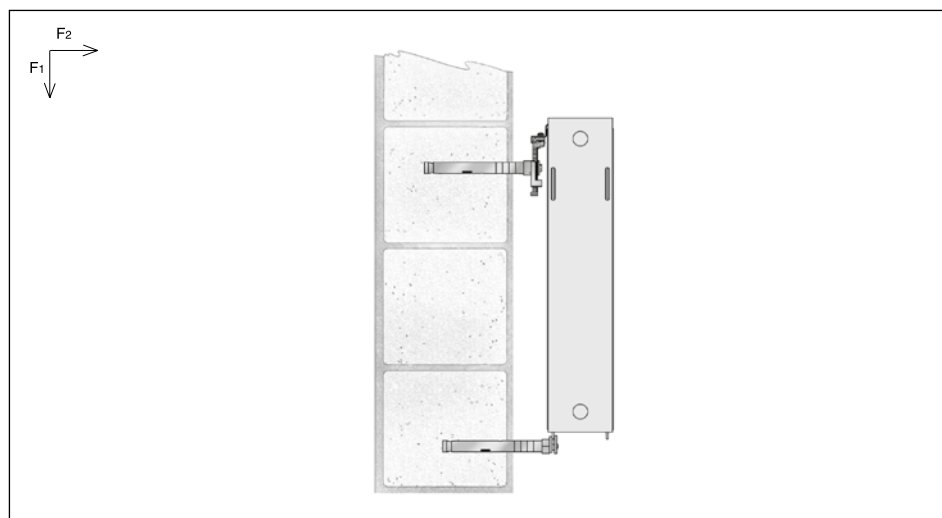
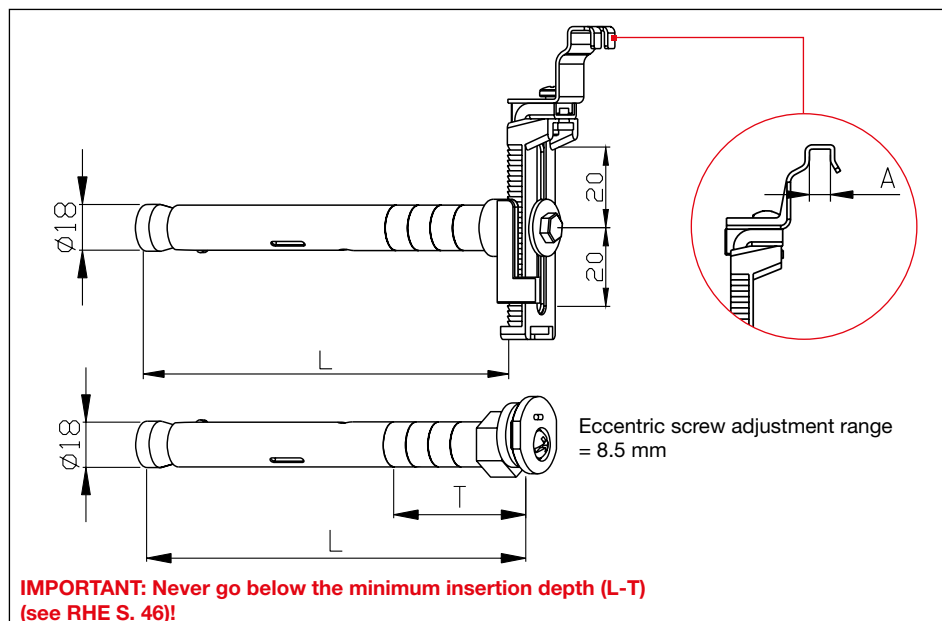


Benefits:


- Installation above the cover grille, thus easy depth adjustment using the clamp
- RHV with snap-in mechanism
- Anti-lifting mechanism via locking adjustment screw

Product features:

- Galvanised metal parts
- Upper retaining clamp powder-coated



Other A dimensions are available on request

Order number	Kit consists of	Dimension A [mm]	Dimension L [mm]	
10-3038-100-4*S	2 x RHV (10-696-4) and 2 x RHE (10-670)	6-7.5	100	50

*Discontinued product

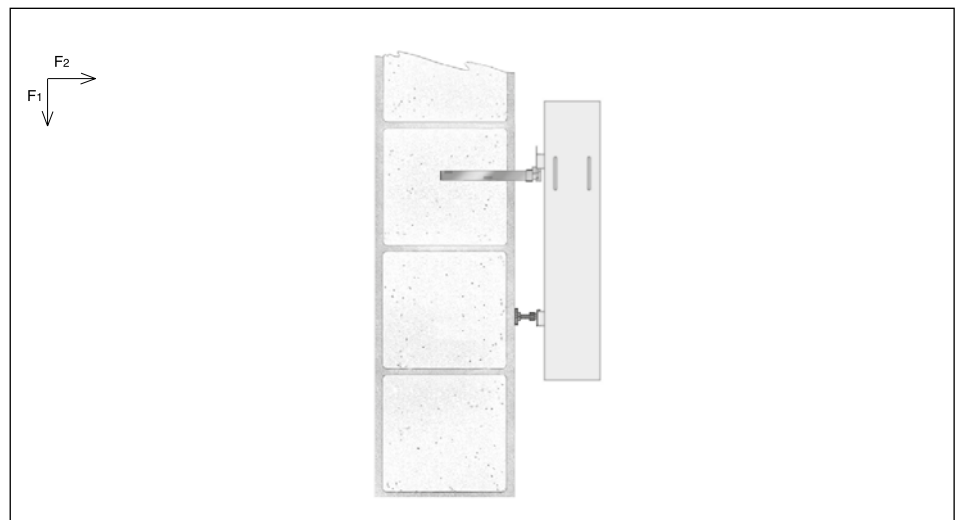
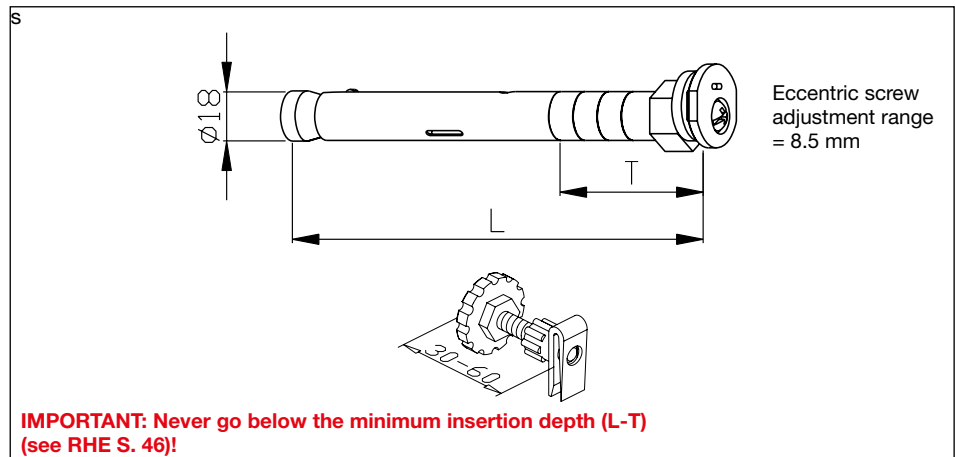
Product Group 3 DRILL BRACKET KITS

Drill bracket kits - RHE- RHE drill bracket in conjunction with spacer for panel radiators with hanging lugs




Accessories:

Anti-lifting mechanism (see page 56)



Wemefa drill brackets and accessories

Order number	Kit consists of	Drill bracket length [mm]	
10-303-3	2 x 10-670 and 2 x 10-596	100	100
10-303-4	2 x 10-671 and 2 x 10-596	130	100
10-302-1	2 x 10-672 and 2 x 10-596	160	100
10-303-6	2 x 10-673 and 2 x 10-596	200	100

Product Group 3 DRILL BRACKET ACCESSORIES FOR VDI 6036

VDI 6036 accessory kit for RHE drill brackets
can be used for panel radiators with hanging lugs, galvanised

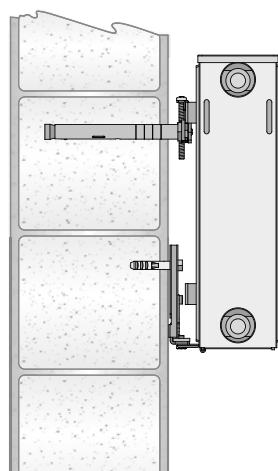


Benefits:

- Combined anti-lifting and anti-shift mechanism for lugs with a height of 20 to 40 mm (dimension X)
- Simple installation on the hanging lug thanks to spring mechanism
- Adjustable depth of anti-lifting mechanism
- Mounting clamp with 3-step notch function, easy to dismantle
- Fully pre-assembled

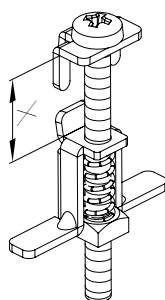
Product features:

- Coupled with drill bracket RHE, complies with VDI 6036 requirements class 3
- Galvanised metal parts

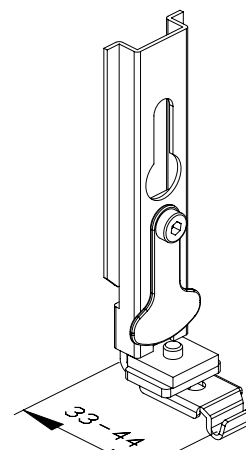


Anti-lifting and anti-shift mechanism

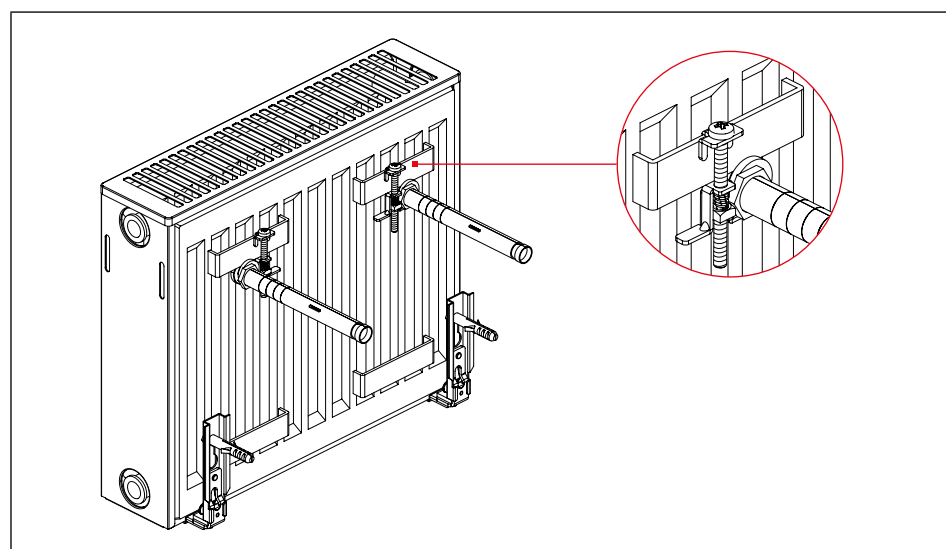
Lug height
X = 20 - 40 mm



Anti-lifting mechanism

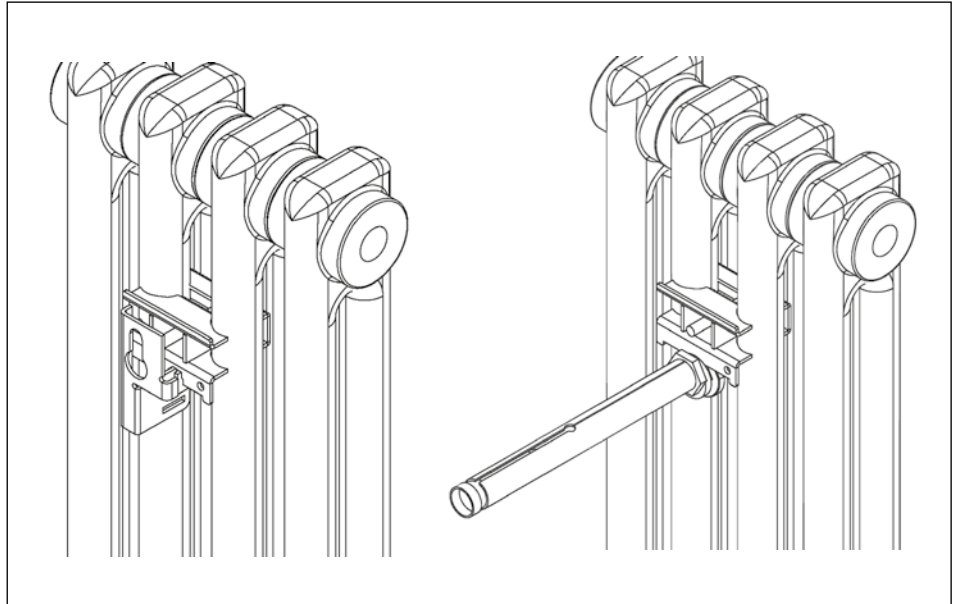


Kit 10-526 consists of 2 x anti-lifting and anti-shift mechanisms and 2 x anti-lifting mechanisms



Order number	Fits	
10-526	RHE drill brackets	50

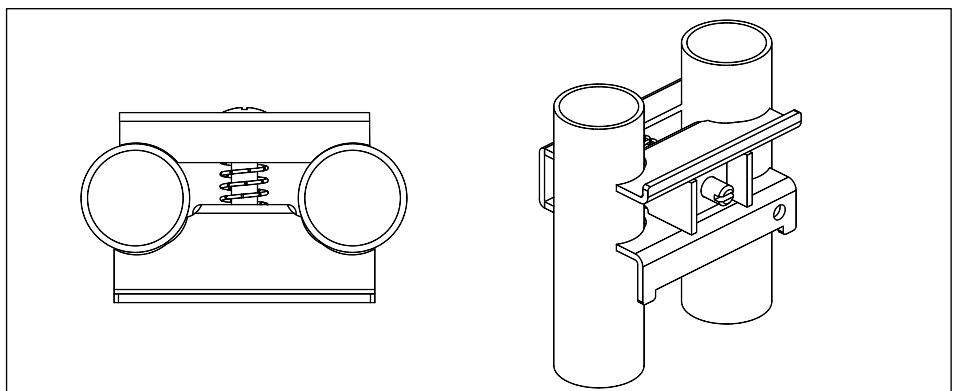
Clamp mounting for tubular radiators
with offset mounting edge, painted, fits RHE drill brackets



Order number	
10-2234-02	50

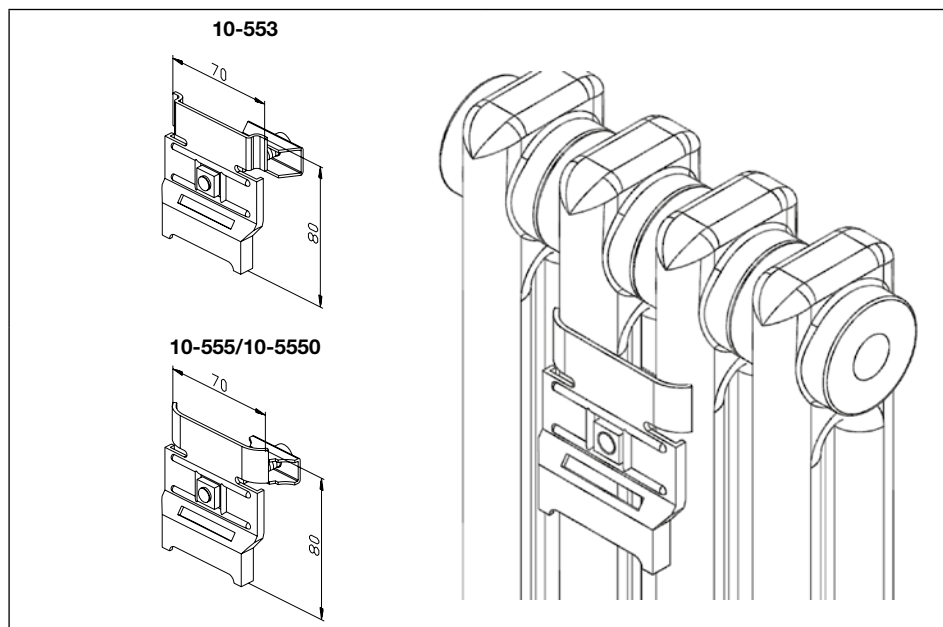
Benefits of WEMEFA:


- The form-fitting grip of the pipes prevents compression.
- Damage to the paintwork of tubular radiators is kept to a minimum.
- Should the contact point of the mounting element, e.g. drill bracket, not be precisely central to the clamp component, then the horizontal twisting of the clamp components is effectively prevented.
- Compression points on the clamp components provide a solid "grip". This ensures that the radiator is securely held even in the event of manufacturer-related tolerances on the tubes of the tubular radiator and on the clamping elements.
- The special design, particularly of the rear clamping element, ensures excellent stability.
- Lugs are incorporated in the rear part of the clamping element to support the contact surface, effectively supporting the upper and lower plate.



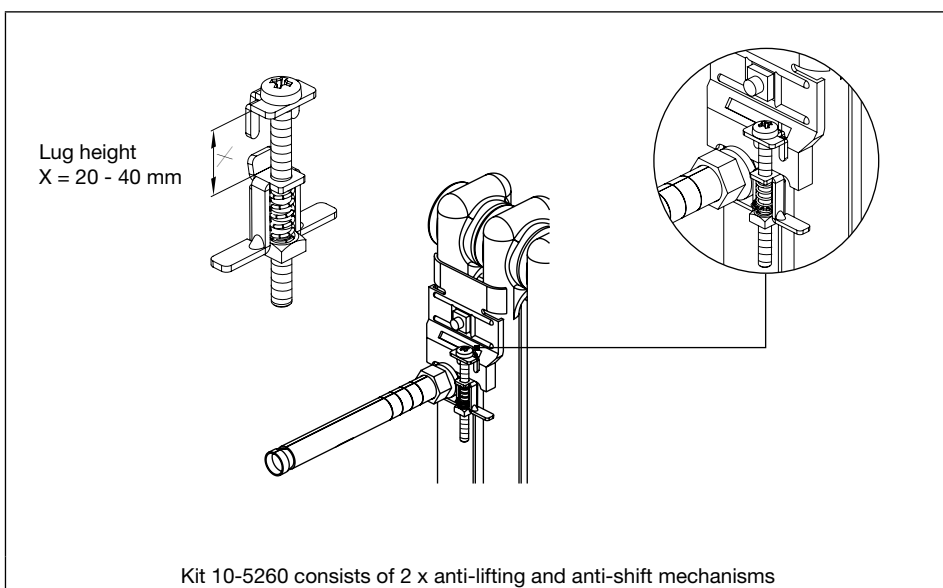
Product Group 3 DRILL BRACKET ACCESSORIES

Clamp mounting for radiators
with offset mounting edge, galvanised, fits RHE drill brackets




Order number	Fits	
10-553	Steel radiators	50
10-555	Tubular radiators	50
10-5550 (painted)	Tubular radiators	50

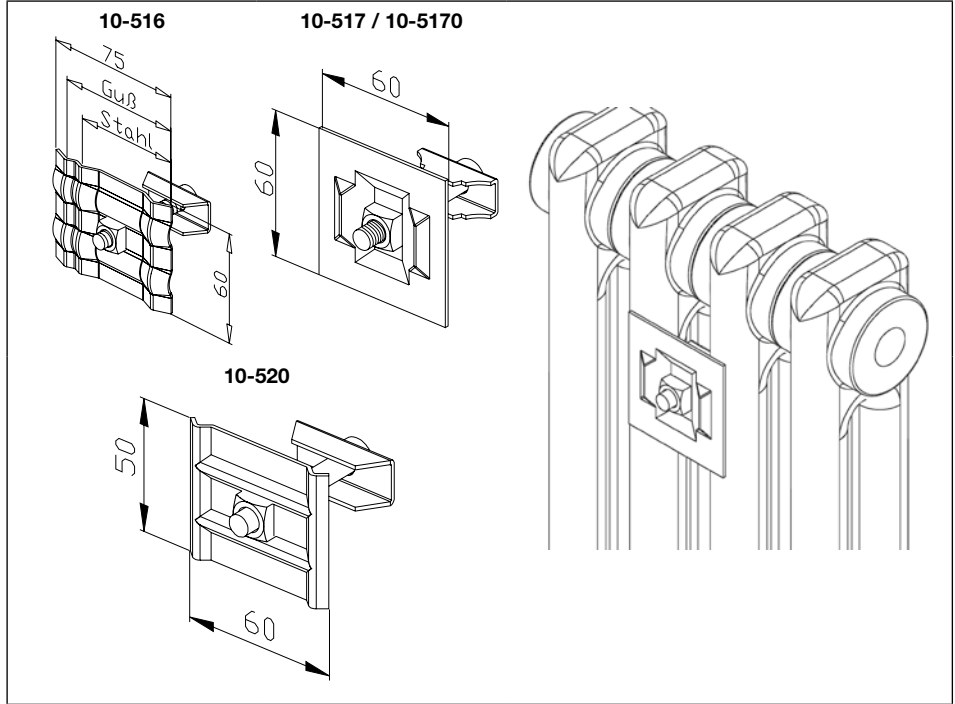
Anti-lifting and anti-shift mechanism, galvanised, fits clamp mountings 10-553, 10-555 and 10-5550 in conjunction with RHE drill brackets




Kit 10-5260 consists of 2 x anti-lifting and anti-shift mechanisms

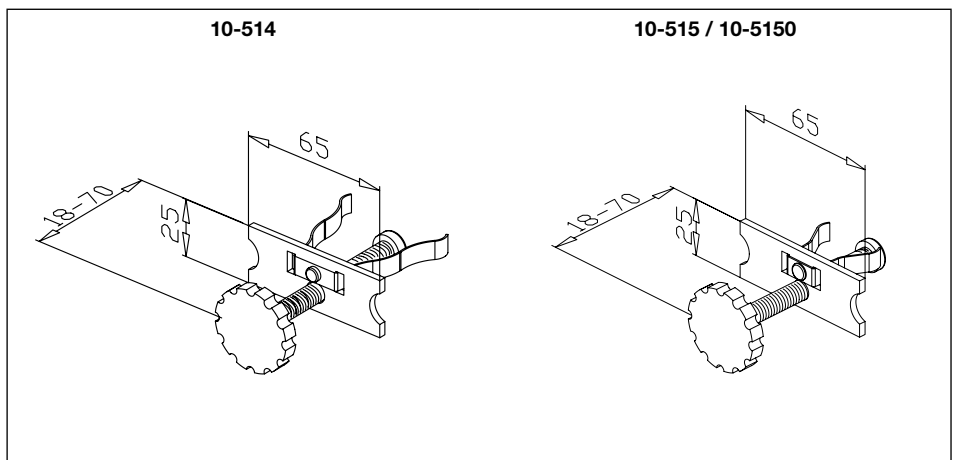
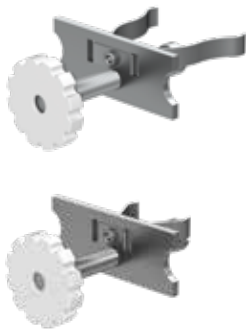
Order number	
10-5260	50


Clamp mounting for radiators
galvanised, fits RHP drill brackets



Order number	Fits	
10-516	Steel and cast-iron radiators	100
10-517	Tubular and narrow column	100
10-5170 (painted)	Tubular and narrow column	100
10-520	Steel radiators	100

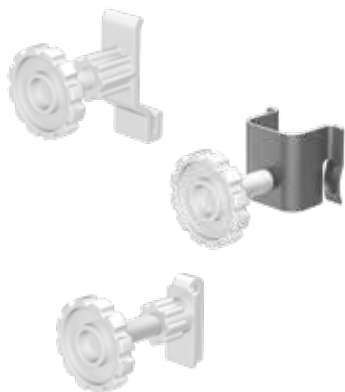
Spacer
Metal parts, galvanised, for clamping



Order number	Fits	
10-514	Steel and cast-iron radiators	100
10-515	Tubular and narrow column	100
10-5150 (painted)	Tubular and narrow column	100

Product Group 3

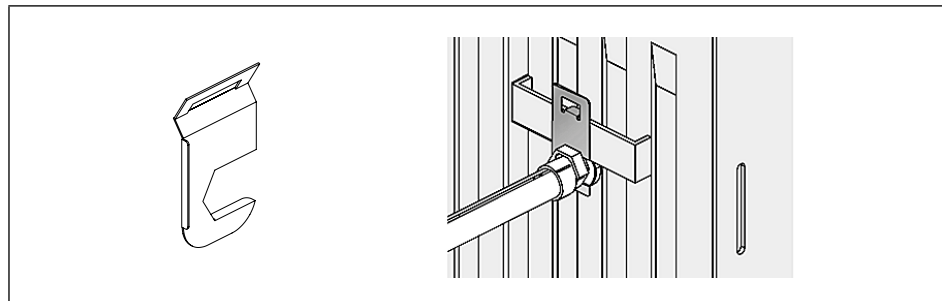
Spacer
Metal parts, galvanised, for clamping



10-593	10-594	10-596
Plastic spacer to clamp on the underside of panel radiators.	Metal spacer with stamped clamping edge.	Plastic spacer to clamp onto the hanging lug.

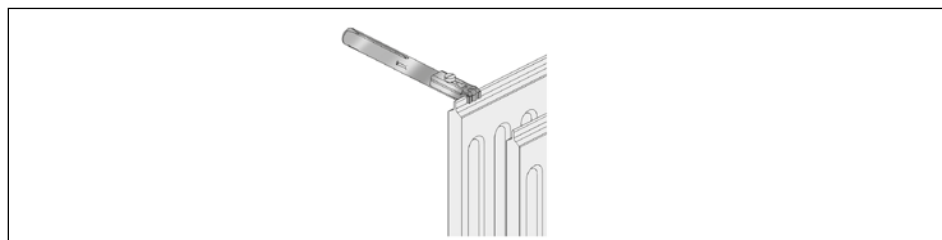
Order number	
10-593	300
10-594	300
10-596	300

Anti-lifting mechanism
for RHE drill brackets, can be retrofitted



Order number	For lug height [mm]	
10-588	25	100
10-589	40	100

Mounting
for RHP drill brackets with universal sound-insulation component



Order number	For drill brackets	
10-597	RHP + PSP	500

Universal window sill support
for multi-row panel radiators (except for type 21 S)



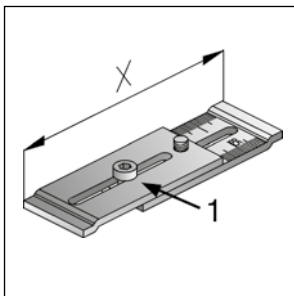
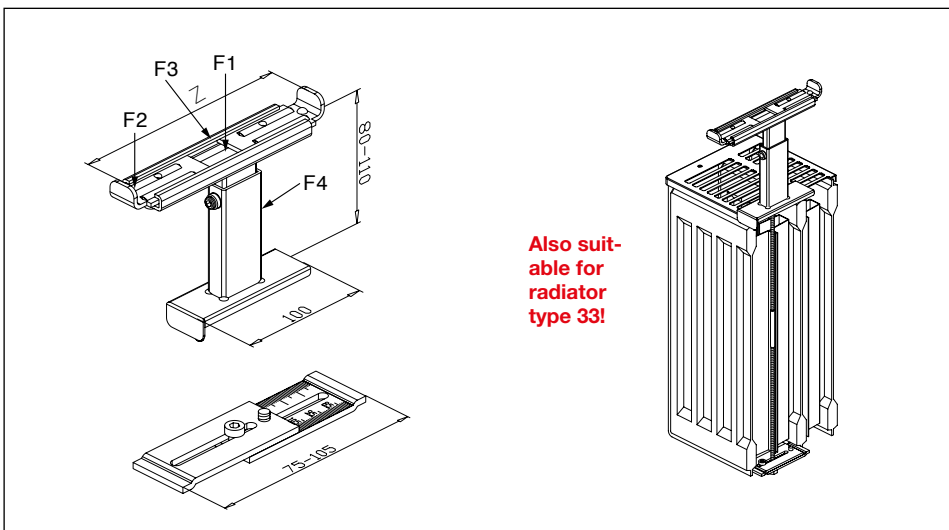
**HIGHLY
LOAD-BEAR-
ING!**
see table

Benefits:

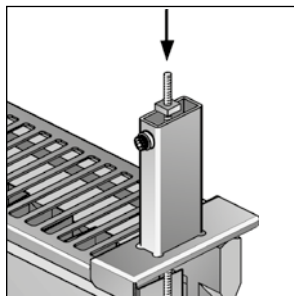
- Universal use up to height 900
- No need to dismantle the upper and side cover strips
- Simple retrofitting is possible
- Adjustable height and depth of contact surface
- Short installation time

Product features:

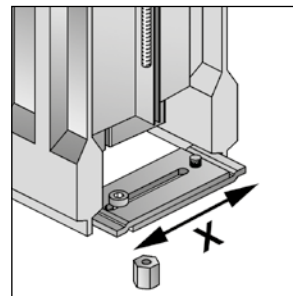
- Powder-coated in white
- Sound-insulating
- Adjustable counter-slider, adjustment range 75-105 mm (internal radiator dimension)



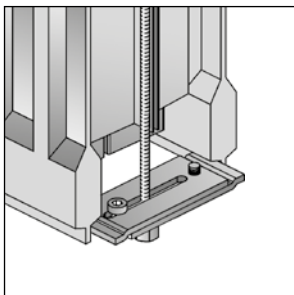
Move the adjustable slider to dimension X and screw in place.



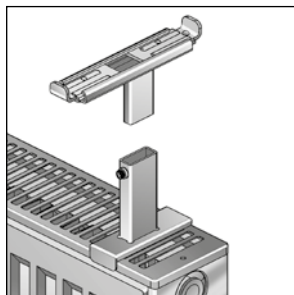
Guide the threaded rod through the upper part and the panel radiator.



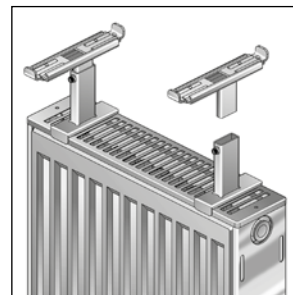
Guide the threaded rod through the slider adjusted to dimension X.




Attach and tighten the locking nut.



Attach the window sill support, sawing off the threaded rod if necessary.



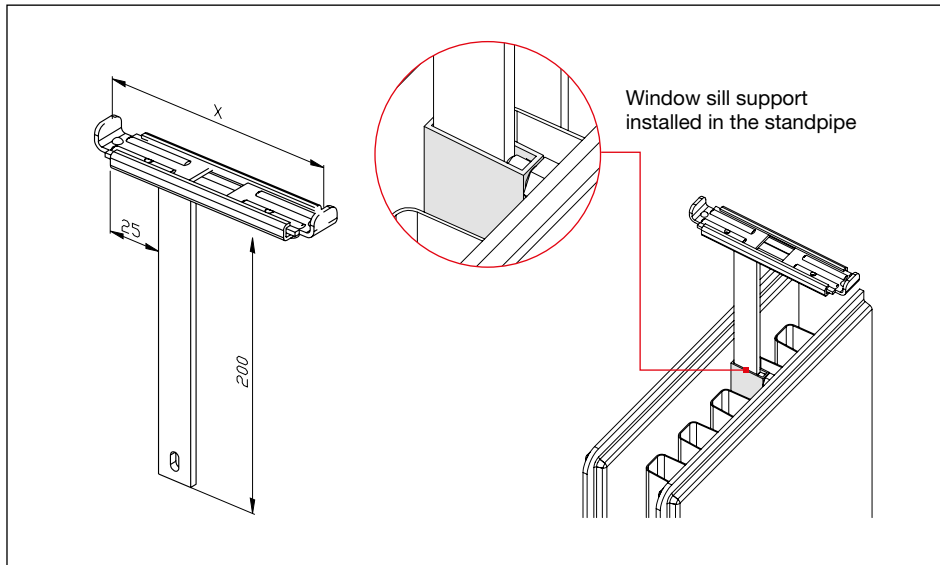
Align the support, tighten the screws, YOU'RE DONE!


Order number	F1 [N]	F2 [N]	F3 [N]	F4 [N]	Dimension Z [mm]	
10-2007	1000	300	150	200	150 - 250	10
10-2007-2	1000	300	150	200	200 - 350	10

Product Group 4 | RADIATOR ACCESSORIES

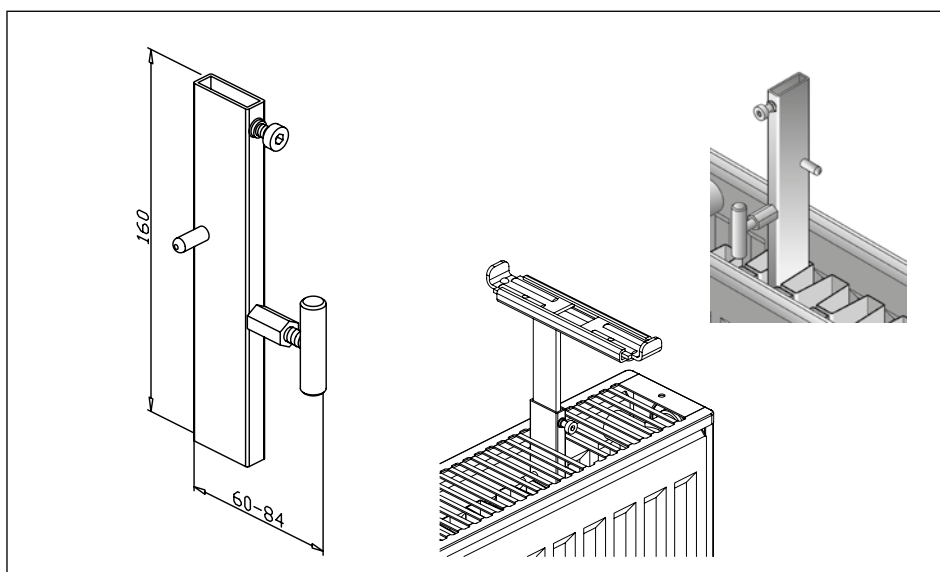
Window sill support


height and depth can be adjusted, for pipes 35 x 10 mm , galvanised



Order number	Dimension X [mm]	
10-020	150 - 250	10
10-021	200 - 350	10

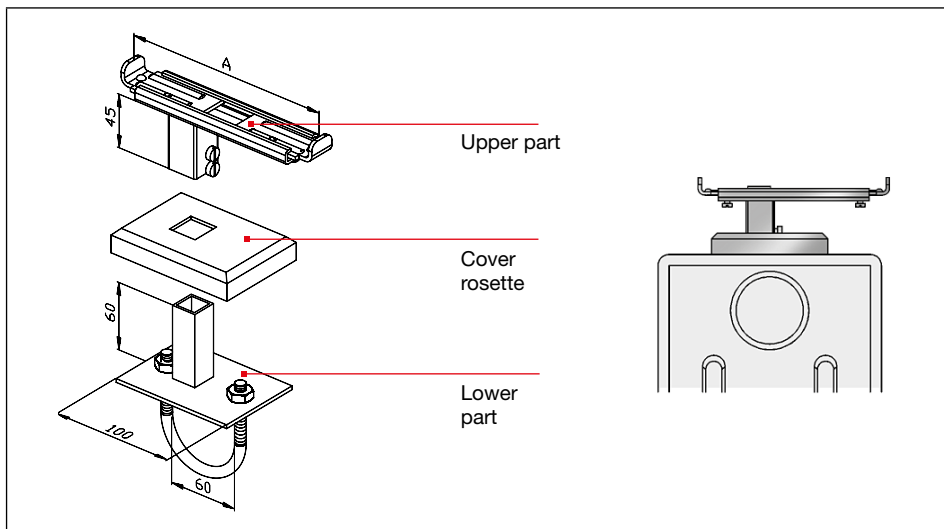
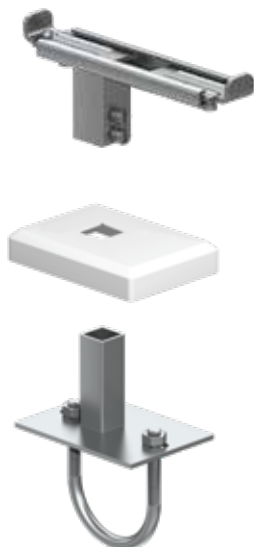
Clamp for the subsequent installation of window sill supports 020 and 021 in multi-row panel radiators, from 60 mm internal dimension, powder-coated white





Order number	Dimension A [mm]	
10-801*	60 - 84	50

*Discontinued product

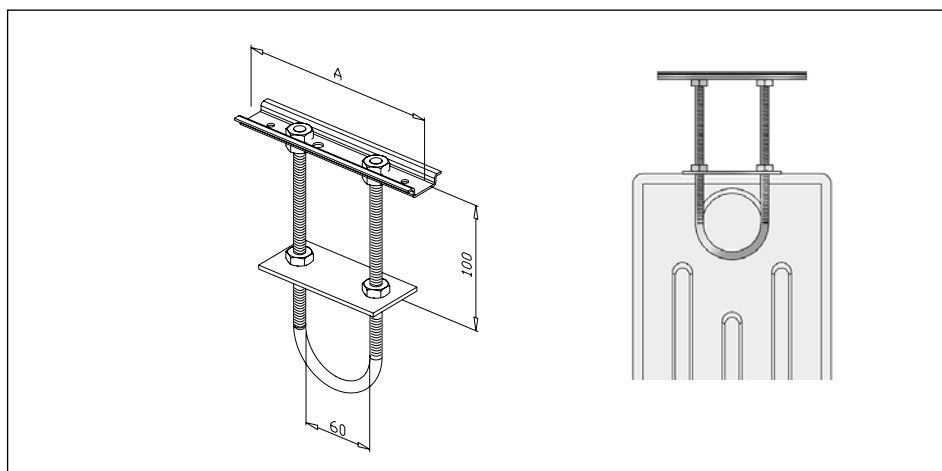
Window sill support and bracket
for cast-iron and tubular radiators (not for steel radiators), galvanised




Upper part		
Order number	Dimension A [mm]	
10-1-T10	150 - 250	10
10-1-T30	200 - 350	10

Lower part including cover rosette		
Order number		
10-2001	10	

Window sill support
for shelves and window sills for steel, cast-iron and tubular radiators, galvanised



Order number	Dimension A [mm]	
10-2003	150	20
10-2004	250	20

Product Group 4 RADIATOR ACCESSORIES

**Universal towel rail bracket
for panel radiators**



Benefits:

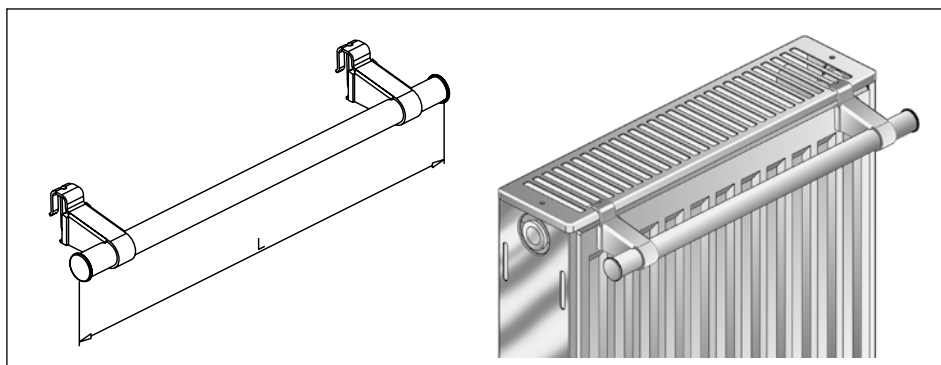
- All-purpose use
- No need to dismantle the upper cover
- Ease of installation
- No tools required for installation
- Also suitable for single-row radiators without cover grille


Product features:

- Powder-coated in white



**HIGHLY
LOAD-BEAR-
ING!**



Order number	Dimension L [mm]	
10-15002	450	10
10-15003	500	10
10-15001	600	10
10-15004	750	10
10-15005	900	10
10-15006	1050	10

Accessories

Screw and dowel kit, air plug, blanking plug, radiator key



Screw and dowel kit Consists of 3 screws (8 x 60 mm) and 3 dowels (10 mm)	
Order number	
10-307	20



Air plug 1/2" with rubber sealing ring	
Order number	
10-0060	500



Blanking plug 1/2" with rubber sealing ring	
Order number	
10-0070	500



Radiator key internal square hole approx. 5 x 5 mm	
Order number	
10-307-4	100



Chrome-plated clamp for coloured radiators for bracket type EKV and combi bracket. Kit includes 2 clamps.	
Order number	
10-1859-75	1
10-1859-85	1
10-1859-95	1

Wemefa is officially ISO-certified



DIN EN ISO 14001:2015



DIN EN ISO 9001:2015

Return of goods

In principle, no goods can be returned.

- Unless mutual agreement has been reached or appropriate regulation of costs has been accepted.

No goods can be returned if any of the following applies:

- Goods are older than 3 months
- Custom-made goods
- Accessories and small components
- Unpackaged goods
- Damaged goods

Returns will only be accepted by us with freight-free delivery.

(see also T&Cs on page 67)

Disposal

Disposal in accordance with statutory regulations is free of charge for our customers. We dispose of goods using Interseroh AG, Contract no. 222013.

Terms of Delivery

Delivery:

Above a€ gross value of €2,000.00, sorted from all product groups, delivery is freight-free to German wholesale warehouses or construction sites, excluding unloading.

Order size

With small orders outside of packaging units, an administrative charge of € €0.00 is made for each invoice.

Payment Conditions

Payment:

Within 30 days, net

General Terms and Conditions

We deliver exclusively on the basis of our General Terms and Conditions (see page 67).

VDI 6036 requirements classes

The new VDI 6036 Guideline governing the installation of radiators provides for different requirements classes for the intended and real use of radiators.

Requirements classes (excerpt from VDI 6036):

Normal requirements class – Requirements class 1

The first edition of this standard introduced a requirements class 1 based on the assumption that the variable actions (additional loads) and the resulting forces to be considered are due to persons exercising a high degree of caution in dealing with property.

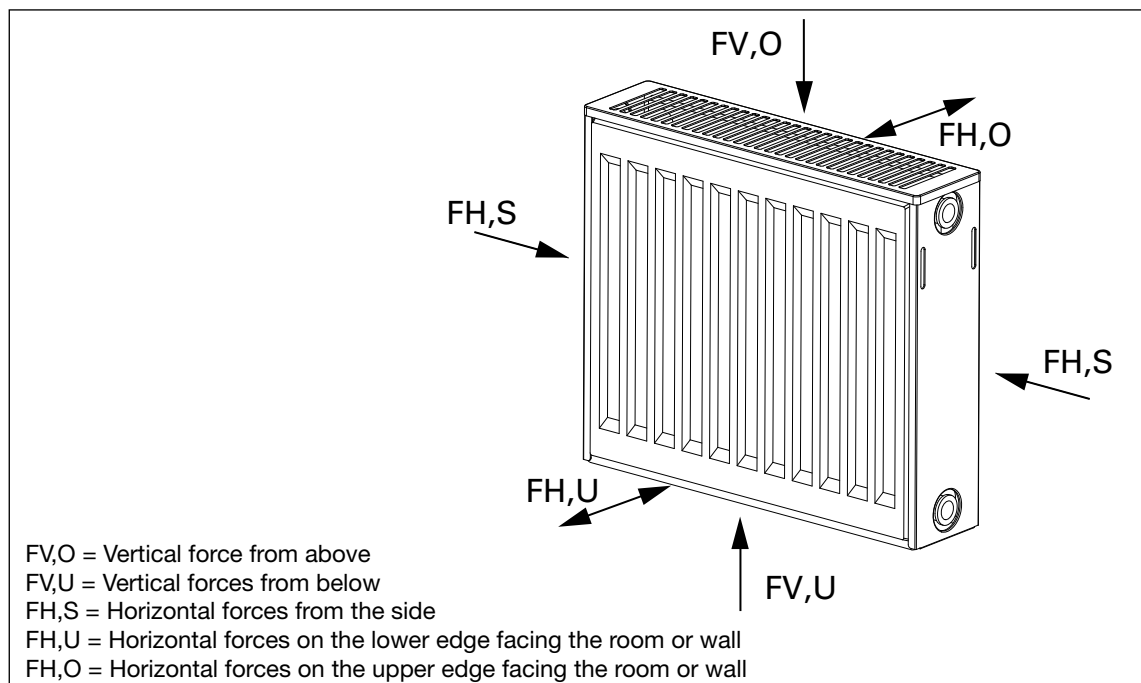
A differentiation with respect to requirements class 2 has not proved useful in practice for various reasons. On the one hand, a clear allocation cannot always be ensured; on the other hand, the usual fastening systems for radiators available on the market are tailored to meet at least the demands of requirements class 2. For reasons of simplification, the previous requirements class 1 no longer applies.

Normal and increased requirements, minimum requirements – Requirements class 2

This class is based on the assumption that due to less care being exercised in dealing with third-party property values, the absence of potential personal material damage, the multitude of users, and thus a certain anonymity of negligent misuse is accepted. Sitting or standing on the radiators is considered in this requirements class with limited forces as foreseeable misuse. Higher additional loads are more likely to occur in all load directions.

High requirements - Requirements class 3

The special type of use and/or the specific user behaviour have a bearing here. This range of use is generally characterised by a high level of anonymity of users. Grossly negligent and sometimes also premeditated behaviour is assumed. There is a high likelihood of the occurrence of high additional loads.



Numerically arranged according to order no.

Order no.	Group	Page
10-0060	4	61
10-0070	4	61
10-0075	2	44
10-020	4	58
10-021	4	58
10-0250	2	32
10-0400	2	32
10-0581-1	2	42
10-0593	2	42
10-1-1060	1	15
10-1-1160	1	15
10-1-360	1	15
10-1-460	1	15
10-1-510	1	15
10-1-560	1	15
10-1-610	1	15
10-1-660	1	15
10-1-710	1	15
10-1-760	1	15
10-1-860	1	15
10-1-960	1	15
10-1-T10	4	59
10-1-T30	4	59
10-1160-3	1	20
10-15001	4	60
10-15002	4	60
10-15003	4	60
10-15004	4	60
10-15005	4	60
10-15006	4	60
10-2001	4	59
10-2003 bis 10-2004	4	59
10-2007 bis 10-2007-2	4	57
10-2234-02	3	53
10-302-1	3	51
10-3021	2	29
10-3021-596	2	29
10-303-3 bis 10-303-6	3	51
10-3038-100-4	3	50
10-304	2	34
10-3048	1	20
10-306-01	2	35
10-307	4	61
10-307-4	4	61
10-3079	2	30
10-3079-596	2	30
10-308	2	37
10-3080-594	2	28
10-3080-596	2	28
10-3080-596-1	2	28
10-3087	2	38
10-3089	2	39
10-310	2	37
10-3101	2	45
10-321...	2	27
10-328 bis 10-329	1	19
10-332	1	17
10-334	1	17
10-338	2	34
10-338-1	2	34
10-341	1	16
10-344	1	16
10-345	1	18
10-353...	2	24
10-376...	2	25
10-377...	2	25
10-378...	2	25
10-381	2	31
10-388 bis 10-389	1	16
10-396600	2	26
10-396200	2	26

Order no.	Group	Page
10-45020	2	40
10-45501	2	41
10-5120	2	42
10-514 bis 10-5150	3	55
10-516 bis 10-520	3	55
10-5241	2	43
10-524-25	2	43
10-524-40	2	43
10-526	3	52
10-5260	3	54
10-531-55	2	32
10-531-85	2	32
10-533	2	32
10-5330	2	32
10-534	2	32
10-5340	2	32
10-5410-276 bis 10-5410-358	2	33
10-553	3	54
10-555	3	54
10-5550	3	54
10-567	2	36
10-569	2	36
10-571	2	36
10-588 bis 10-589	3	56
10-590	3	45
10-591	2	44
10-593 bis 10-596	3	56
10-597	3	56
10-670 bis 10-674	3	46
10-675 bis 10-679	3	47
10-680 bis 10-683	3	48
10-685 bis 10-689	3	49
10-760-3	1	20
10-801	4	58
10-810	1	10
10-813	1	11
10-816-1	1	12
10-816-2	1	12
10-824-10	1	11
10-826-10	1	11
10-850	1	14
10-8500	1	14
10-8510-70 bis 10-8510-310	1	13
10-8520-150 bis 10-8520-230	1	13
10-870	1	7
10-870-10	1	9
10-870-20	1	9
10-870-520	1	8
10-870-520-20	1	9
10-8701 bis 10-8704	1	21
10-8710 bis 10-8714	1	22
10-8718	1	12

GENERAL TERMS AND CONDITIONS

General Terms and Conditions of Sale and Delivery

1. Exclusive validity, protective clause and written form

1.1 Our Terms and Conditions of Sale apply exclusively to commercial businesses. Conflicting or deviating conditions apply only in the event of explicit written agreement, even if we perform the delivery without reservation in the knowledge of deviating conditions.

1.2 By concluding the contract, the customer recognises

our Terms and Conditions for similar future business transactions.

1.3 All contractual agreements need to be made in written form.

1.4 Our Terms and Conditions of Sale apply only to business persons within the meaning of § 310 section 1 of the German Civil Code (BGB).

2. Quotations – Ancillary agreements – Contract content – Quotation documents

2.1 Our quotations are subject to change without notice. The information on dimensions, weights etc. given in our catalogues or other documents does not represent assured or contractually agreed characteristics of the goods. The contract is only concluded with the acceptance of the order.

2.2 Ancillary agreements of any kind - also with field sales employees - require our confirmation to be valid.

2.3 We reserve the right of ownership and copyright to the documents (e.g. illustrations, drawings, calculations) accompanying a quotation or order.

They may not be made accessible/transferred to third parties without our consent.

They must be returned immediately on request.

2.4 If we manufacture goods to the customer's specification, we are not obliged to examine possible infringements of industrial property rights or other rights of third parties. The customer assumes the obligation to release us from any such claims, including the cost of defending such claims.

3. Rescission clause

We are entitled to rescind the contract if our contractual partner initiates insolvency proceedings.

4. Prices

4.1 Our prices apply to delivery ex works including packaging, customs duties and other services/charges in euros plus VAT at the level applicable on the date of invoice.

4.2 The deduction of a prompt payment discount is subject to written agreement.

4.3 The purchase price is due for payment net within 14 days from the date of invoice. In the event of default, 8% interest above the respective base interest rate becomes due. We reserve the right to charge higher damage caused by default. The customer has the right to prove lower damage.

4.4 In the event of cost increases for which we are not responsible (e.g. wage and upstream material costs) and agreed delivery 6 weeks after conclusion of the contract we are entitled to adjust the price according to the increased costs.

5. Insurance – Shipping – Transfer of risk – Return of packaging

5.1 The transfer of risk is deemed to have been agreed as delivery ex works.

In the event of delay in acceptance by the customer or in the event of lasting infringement of other obligations to cooperate, the risk of accidental loss or accidental deterioration passes to the customer.

5.2 On request, we can take out transport insurance at the expense of the customer.

5.3 As far as we are obliged to take back packaging, the purchaser shall bear the costs arising from this.

6. Performance deadlines and dates

6.1 The start of the delivery period stated by us requires the clarification of all technical questions.

6.2 If our performance is delayed by circumstances outside our control (e.g. force majeure, strike, lock-out), the performance dates will be extended by the duration of the impairment.

6.3 In the event of default in performance, the customer may withdraw from the contract if they have set us a reasonable period of time for performance or supplementary performance in accordance with § 323 section 1 of the German Civil Code. We are liable in accordance with statutory regulations, provided that the delay in delivery is based on a deliberate or grossly negligent breach of contract for which we are responsible; failure on the part of vicarious agents is attributable to us. If the delay in delivery is not due to a deliberate breach of contract for which we are responsible, our liability for damages in the event of gross negligence is limited to the foreseeable damage that would typically occur (average damage). The limitation of liability to this damage also applies in so far as the delay in delivery for which we are responsible is due to the culpable violation of a contractual cardinal obligation. Further liability in other cases of negligence is limited to average damage.

6.4 If the customer is delayed in accepting the goods, we may, after the expiration of one month after the occurrence of the delay, charge a storage fee amounting to 0.5% of the invoice amount per month, subject to further claims and the possibility of the customer proving lower damage.

7. Partial performance – Additional and minimum performance

7.1 We are entitled to make reasonable partial deliveries and to charge for these deliveries, unless otherwise agreed.

7.2 We reserve the right to make deviations to quantities of up to 10%.

7.3 If we take back goods freight-free, we can optionally demand return costs or compensation amounting to at least 20% of the net invoice value. Proof of higher or lower damage is permitted.

8. Warranty (liability for defects)

8.1 The customer's warranty is dependent on the customer having complied with their investigation and complaint obligations pursuant to §§ 377, 378 of the German Commercial Code (HGB). The time limit for complaints is no more than 8 days after receipt of goods. In the event of concealed defects, it begins with the determination of the defect.

8.2 In the event of defects in goods, we are entitled to supplementary performance in the form of rectification of defects or to deliver a new defect-free product.

8.3 If the supplementary performance fails, then the customer is entitled to choose price reduction or withdrawal, unless the breach of duty is insignificant.

8.4 We are liable according to the statutory regulations, if the purchaser demands compensation for damages, based on intent or gross negligence, including intent or gross negligence on the part of our vicarious agent. If there is no intentional or grossly negligent breach of contract, our obligation to compensation for damages, even in the case of negligent violation of a contractual cardinal obligation, is limited to the foreseeable damage that could typically occur. This also applies if we or one of our senior employees have slightly negligently violated a cardinal obligation. If the customer is entitled to a claim for damages instead of the performance according to section 8.3, our liability is also limited to the foreseeable damage that could typically occur. Liability for injury to life, body and health remains unaffected by a limitation of liability even in the event of slight negligence. There is no obligation to pay compensation in other cases of slight negligence. Liability for faulty products according to the Product Liability Act remains unaffected by these rulings.

8.5 Further liability for damages in the event of liability for defects according to section 8 is excluded. This applies in particular to claims for damages arising from fault at the time of conclusion of the contract, due to claims in tort for compensation for material damage according to § 823 of the German Civil Code and other breaches of duty.

The limitations of liability do not apply if a different warranty statement has been made.

8.6 If our liability is ruled out or limited, the effect thereof also extends to our vicarious agents.

9. Payment

9.1 Our performance is due for payment without deduction within 14 days of the invoice date.

9.2 In the event of doubts about creditworthiness, we can demand immediate payment, by instalment, by bills of exchange.

9.3 Cheques or bills of exchange are only accepted as payment.

The costs of discounting and collection are borne by the purchaser.

9.4 The customer is not entitled to set off claims against our payment or to exercise a right of retention on amounts due. This does not apply to the offsetting of uncontested or legally established claims and to the exercise of a right of retention until such claims have been fulfilled.

10. Retention of title

10.1 We reserve the right to retain title to the purchased item until the payment in full of all claims arising from the business relationship with the customer. In the event of behaviour by the customer contrary to the contract, in particular in the event of default of payment, we are entitled to take back the purchased item. This does not represent a withdrawal from the contract.

10.2 If the purchased item is processed or mixed with other items not belonging to us, we will acquire co-ownership of the new item in the ratio of the value of the purchased item to the other processed or mixed items at the time of processing or mixing.

10.3 The purchaser will keep the sole property or co-owned property for us with the care of a prudent businessman.

10.4 In the case of sale in the ordinary course of business, the purchaser will assign to us all claims amounting to the final invoice amount (including VAT) of our claims, which they have accrued from the resale. This also applies in the event of a sale after processing. The customer remains authorised to collect the claim if we do not object.

10.5 We undertake to release the securities to which we are entitled at the request of the customer insofar as the realisable value of our securities exceeds the secured claims by more than 20%. We are responsible for selecting the securities to be released.

10.6 The customer must inform us immediately about any enforcement measures by third parties about the goods delivered under retention of title or the assigned claims and hand over the necessary written documents to us.

11. Place of performance – Place of jurisdiction – Applicable law

11.1 The place of performance for all obligations arising from the contractual relationship is our registered office. The court of jurisdiction is - in deviation from the place of performance - the District Court of Velbert and the Regional Court of Wuppertal.

However, we are entitled to charge the customer at the court responsible for their place of business.

11.2 This contract relationship is subject to the law of the Federal Republic of Germany. The regulations of the Hague Uniform Law on the Sale of Goods and the Hague Uniform Purchase Law and the UN Purchase Law do not apply.

12. Partial invalidity

Should individual provisions of the above terms and conditions be invalid, the validity of the remaining provisions will not be affected.

WEMEFA®

FIXING TECHNOLOGY

a member of iProcess Technologies



Wemefa H. Christopeit GmbH

Steinbrink 3

42555 Velbert, Germany

T +49 2052 88701

F +49 2052 88755

E info@wemefa.de

I www.wemefa.de

Copyright Wemefa H. Christopeit GmbH, Velbert, Deutschland.

Nichts aus dieser Ausgabe darf ohne ausdrückliche Freigabe und mit Angabe der Quelle vervielfältigt oder auf irgendeine andere Weise veröffentlicht werden. Die erwähnten Angaben gelten nur für die Anwendung von Wemefa-Produkten. Für unsachgemäße Nutzung, Anwendung oder fehlerhafte Interpretation der technischen Daten übernimmt Wemefa keinerlei Haftung.

Technische Änderungen vorbehalten.

Wemefa GmbH verweist ferner auf die von ihr gehandhabten internationalen Verkaufs- und Lieferbedingungen (AGB).

